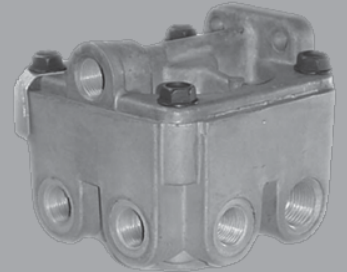
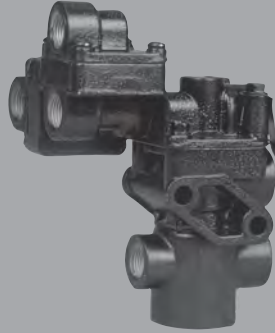


Valve Catalog



L00134 Rev. 4-15

NEW AND REMANUFACTURED

Air Regulating Valves

Check Valves

Drain Valves

Emergency Relay Valves

Foot control Valves

Hand Control Valves

Hydraulic Brake Valves

Inversion Valves

Pressure Protection Valves

Pressure Relief Valves

Quick Release Valves

Relay Valves

Solenoid and Isolation Air Valves

Tractor Protection Valves

Trailer Valves

Reman Tractor ABS Valves



Innovative Vehicle Solutions

Important Notice

The products described within this literature, including without limitation, product features, specifications, designs, availability and pricing are subject to change by Haldex and its subsidiaries at any time without notice.

This document and other information from Haldex, its subsidiaries and authorized distributors provide product and/or system options for further investigation by users having technical expertise. It is important that you analyze all aspects of your application and review the information concerning the product or system, in the current literature or catalog. Due to the variety of operating conditions and applications for these products or systems, the user, through their own analysis and testing, is solely responsible for making the final selection of the products and systems and assuring that all performance, safety and warning requirements are met.

19 – Valves

Table of Contents	19-1
Part Number Index	19-6
General Information	
Foreword	19-11
Relay Valves	
Haldex (New and Remanufactured)	
RG2 – 2 Port Trailer Valve	19-12
RG5 – 2 Port Trailer Valve	19-13
2 Port	19-14
2 Port with Integral Bracket	19-15
2 Port with Anti-Compounding	19-16
2 Port with Anti-Compounding – Dual Crack Pressure	19-17
2 Port without Anti-Compounding – Dual Control	19-18
2 Port – Fast Air and Balancing (FAB)	19-19
4 Port	19-20
4 Port – Vertical Ports	19-21
4 Port with Integral Bracket	19-22
4 Port with Anti-Compounding	19-23
4 Port with Anti-Compounding – Dual Crack Pressure	19-24
Mounting Brackets for Relay Valves	19-25
Competitive (Remanufactured)	
Bendix® BP-1	19-26
Bendix® BP-R1	19-27
Bendix® R-6	19-28
Bendix® R-8	19-29
Bendix® R-8P	19-30
Bendix® R-12	19-31
Bendix® R-12H	19-32
Bendix® R-12P	19-33
Bendix® R-14	19-34
Bendix® R-14H	19-35
Sealco Ratio Relay	19-36
Sealco Relay	19-37
Sealco Control Line	19-38
Sealco Mini Relay	19-39
Sealco Trailer Relay	19-40
Sealco 3 Port Delivery	19-41
Hand Control Valves	

Haldex (New/Remanufactured)	
Trailer Brake Control – In-Column Mount	19-42
Trailer Brake Control – Steering Column Mount	19-43
Trailer Brake Control – Panel Mount	19-44
Flipper Style – Panel Mount	19-45
Flipper Style – with Locking Handle	19-46
Double Flipper Style	19-47
Manifold Dash Style A	19-48
Manifold Dash Style B	19-49
Push-Pull Parking Brake	19-50
Push-Pull Trailer Air Supply	19-51
Push-Pull Tractor Parking	19-52
Push-Pull Panel Mount	19-53
Push-Pull Bulkhead Mount	19-54
Push-Pull Hostler Valve	19-55
Push Style	19-56
Competitive (Remanufactured)	
Bendix® HPP-1 Push-Pull	19-57
Bendix® PP-1 Push-Pull	19-58
Bendix® PP-2 Push-Pull	19-59
Bendix® PP-3 Push-Pull	19-60
Bendix® PP-5	19-61
Bendix® PP-7 Trailer Supply	19-62
Bendix® PP-8	19-63
Bendix® PP-DC	19-64
Bendix® MV-2 (Manifold)	19-65
Bendix® MV-3 (Manifold)	19-66
Bendix® TC-2 Trailer	19-67
Bendix® TW-1	19-68
Bendix® TW-3	19-69
Hydraulic Brake Valve	
Competitive (Remanufactured)	
Bendix® Hydraulic Brake Valve	19-70
Foot Control Valves	
Haldex (New/Remanufactured)	
Single Circuit	19-71
Dual Circuit	19-72
Single or Dual Circuit – Pedal Attached	19-73
Aluminum Treadle	19-74
Competitive (Remanufactured)	
Bendix® E-2 & E-3	19-75

Table of Contents

19-VALVES

Bendix® E-5	19-76
Bendix® E-6 Dual Circuit	19-77
Bendix® E-7 Dual Circuit	19-78
Bendix® E-10 Dual Circuit	19-79
Bendix® E-12	19-80
Bendix® E-14	19-81
Check Valves	
Haldex (New)	
One-Way Check Valves	19-82
Two-Way Check Valve – Shuttle Type	19-83
Two-Way Check Valve – Diaphragm Type	19-84
Competitive (Remanufactured)	
Bendix® DS-1	19-85
Air Regulating Valves	
Auxiliary – Adjustable	19-86
High Pressure – Adjustable	19-87
Manual – Adjustable	19-88
Pressure Protection Valves	
Haldex/Midland (New)	
Pressure Protection Valve – Haldex	19-89
Competitive (Remanufactured)	
Bendix® PR-2	19-90
Bendix® PR-4	19-91
Pressure Relief Valves	19-92
Tractor Protection Valves	
Haldex (New/Remanufactured)	
Two-Line Manifold Style	19-93
Two-Line Manifold Style Remanufactured	19-94
Two-Line Non-Automatic	19-95
Competitive (Remanufactured)	
Bendix® TP-2	19-96
Bendix® TP-3	19-97
Bendix® TP-4	19-98
Bendix® TP-5	19-99
Quick Release Valves	
Haldex (New)	
Quick Release Valve	19-100
Quick Release Valve with Two-Way Check	19-101
Competitive (Remanufactured)	
Bendix® LQ-2 Limiting Quick Release Valve	19-102
Bendix® LQ-4 Ratio Valve	19-103

19-VALVES

Table of Contents

Bendix® LQ-5 Bobtail Ratio Valve	19-104
Bendix® QR-1 Quick Release Valve	19-105
Bendix® QR-1C Quick Release and Double Check Valve	19-106
Inversion Valves	
Haldex (New/Remanufactured)	
Inversion Valve – pre-March 1998	19-107
Inversion Valve – March 1998	19-108
Competitive (Remanufactured)	
Bendix® SR-1	19-109
Drain Valves	
Haldex (New/Remanufactured)	
Automatic Drain Valves	19-110
Manual Drain Valves	19-111
Competitive (Remanufactured)	
Bendix® DV-2	19-112
Solenoid and Isolation Air Valves	
Solenoid Air Valves	19-113
Isolation Valve	19-114
Tractor ABS Valves	
Competitive (Remanufactured)	
Meritor WABCO Style Rear Axle Valve Packs	19-115
Meritor WABCO Style Relay Valve for Valve Pack	19-117
Meritor WABCO Style Front Axle Valve Packs	19-118
Meritor WABCO Style Quick Release Valve for Valve Pack	19-119
Meritor WABCO Style Modulator Valves	19-120
Meritor WABCO Style ATC Valve	19-121
Trailer Valves	
Haldex (New/Remanufactured)	
FF2 – Full Function Valves	19-122
RT4 Multi-Function Trailer Valves	19-123
TBC – Trailer Brake Control	19-124
Competitive (Remanufactured)	
Bendix® SR-2	19-125
Bendix® SR-4	19-126
Bendix® SR-5 with Anti-Compounding	19-127
Sealco Brake Control Valve	19-128
Sealco Ratio Relay	19-129
Sealco Ratio Relay with Anti-Compounding	19-130
TRAMEC Spring Brake Valve	19-131
Emergency Relay Valves	
Haldex (New/Remanufactured)	

Table of Contents

19-VALVES

Emergency Relay Valve (4 Port)	19-132
Competitive (Remanufactured)	
Bendix® R-7	19-133
Bendix® RE-6	19-134
Sealco Emergency Relay Valve	19-135
Sealco Ratio	19-136
Miscellaneous Valves	
Competitive (New/Remanufactured)	
Fuller Style Air Valves	19-137
Cummins Fuel Solenoid Valves	19-138
Williams® 3-Way Regulating Valve	19-139
Williams® Air Throttle Cylinder	19-140
Accessories	
In-Line Filters	19-141
Drain Cocks	19-142
Knobs for Push-Pull Valves	
Knob for Pin Type	19-143
Knob for Threaded Type	19-144
Knob for Bendix® Threaded Type	19-145
Faceplate for Valves	19-146
Repair Kits	
Relay/Emergency Relay Valve	19-147
Hand Control Valve	19-148
Tractor Protection Valve	19-149
Automatic Drain Valve	19-150
Miscellaneous	19-151
Maintenance	
Relay Valves	19-152
Manifold Dash Valve	19-154

19-VALVES

Part Number Index

Part Number	Type	Page #	Part Number	Type	Page #	Part Number	Type	Page #	Part Number	Type	Page #
10005ARX	S	19-135	110360X	S	19-37	277148X	S	19-90	287238RX	S	19-63
10005AX	S	19-135	110370X	S	19-38	277863X	S	19-75	287238X	S	19-63
10027	S	19-150	110380X	S	19-37	278998RX	S	19-75	287260RX	S	19-29
101029E	O	19-148	110410X	S	19-37	278998X	S	19-75	287260X	S	19-29
101029G	O	19-148	110415X	S	19-37	279000RX	S	19-97	287367K	S	19-148
101029K	O	19-148	110470X	S	19-136	279000X	S	19-97	287368K	S	19-151
101100RX	S	19-79	110500X	S	19-129	279180RX	S	19-28	287370K	S	19-147
101100X	S	19-79	110570X	S	19-38	279180X	S	19-28	287376RX	S	19-125
101112RX	S	19-126	110700X	S	19-128	279553K	S	19-147	287376X	S	19-125
101112X	S	19-126	1118260	O	19-150	279692RX	S	19-97	287411RX	S	19-78
101197RX	S	19-134	1155715	O	19-144	279692X	S	19-97	287411X	S	19-78
101197X	S	19-134	1155726	O	19-144	279787RX	S	19-60	287417RX	S	19-58
101311RX	S	19-103	1175003	O	19-144	279787X	S	19-60	287417X	S	19-58
101311X	S	19-103	1175013	O	19-144	279950RX	S	19-76	287418RX	S	19-63
101569RX	S	19-65	1180350	O	19-143	279950X	S	19-76	287418X	S	19-63
101569X	S	19-65	12100	S	19-111	279952RX	S	19-28	287564RX	S	19-78
101570RX	S	19-65	12102	S	19-111	279952X	S	19-28	287564X	S	19-78
101570X	S	19-65	12103	S	19-111	280375RX	S	19-28	287600RX	S	19-58
101622RX	S	19-126	12104	S	19-111	280375X	S	19-28	287600X	S	19-58
101622X	S	19-126	12105	S	19-111	280454RX	S	19-59	287637RX	S	19-58
101805K	S	19-148	12105	O	19-111	280454X	S	19-59	287637X	S	19-58
101818RX	S	19-78	12110	S	19-142	280651RX	S	19-28	287691K	S	19-151
101818X	S	19-78	12112	S	19-142	280651X	S	19-28	288239RX	S	19-62
102048K	S	19-151	12116	S	19-142	280856K	S	19-147	288239X	S	19-62
102165RX	S	19-31	12500	S	19-143	280857K	S	19-148	288240RX	S	19-62
102165X	S	19-31	12501	S	19-144	280858K	S	19-149	288240X	S	19-62
102461K	O	19-148	12503	S	19-144	281024RX	S	19-105	288241RX	S	19-62
102461T	O	19-148	12509	S	19-144	281024X	S	19-105	288241X	S	19-62
102462AA	O	19-148	12510	S	19-144	281126K	S	19-148	288242RX	S	19-62
102462D	S	19-148	1650700	O	19-83	281127K	S	19-148	288242X	S	19-62
102462D	O	19-148	200127A	O	19-25	281587RX	S	19-58	288251RX	S	19-105
102626RX	S	19-31	200127AA	O	19-25	281587X	S	19-58	288251X	S	19-105
102626X	S	19-31	200127AB	O	19-25	281865RX	S	19-134	288301X	S	19-98
102630R	O	19-111	200127AD	O	19-25	281865X	S	19-134	288383RX	S	19-78
102761RX	S	19-125	200127G	O	19-25	281923RX	S	19-112	288383X	S	19-78
102761X	S	19-125	200127Y	O	19-25	281923X	S	19-112	288605RX	S	19-99
102802K	S	19-147	201129AA	O	19-84	281946RX	S	19-61	288605X	S	19-99
103009RX	S	19-32	20837K	S	19-151	281946X	S	19-61	288721RX	S	19-62
103009X	S	19-32	227661X	S	19-96	282098K	S	19-151	288721X	S	19-62
103010RX	S	19-35	227672X	S	19-96	282134K	S	19-150	288746RX	S	19-60
103010X	S	19-35	228050RX	S	19-85	282499RX	S	19-58	288746X	S	19-60
103028RX	S	19-34	228050X	S	19-85	282499X	S	19-58	289061K	S	19-149
103028X	S	19-34	228165RX	S	19-85	282812K	S	19-147	289144RX	S	19-103
103061RX	S	19-125	228165X	S	19-85	283040RX	S	19-69	289144X	S	19-103
103061X	S	19-125	228520RX	S	19-85	283040X	S	19-69	289148RX	S	19-103
103081RX	S	19-133	228520X	S	19-85	283090RX	S	19-96	289148X	S	19-103
103081X	S	19-133	229418K	S	19-149	283090X	S	19-96	289182RX	S	19-106
103294RX	S	19-35	229501RX	S	19-75	283861K	S	19-147	289182X	S	19-106
103294X	S	19-35	229501X	S	19-75	283863K	S	19-149	289352K	S	19-151
103799K	S	19-147	229505RX	S	19-102	283932RX	S	19-133	289477RX	S	19-60
103833RX	S	19-34	229505X	S	19-102	283932X	S	19-133	289477X	S	19-60
103833X	S	19-34	229507RX	S	19-102	283935RX	S	19-69	289500K	S	19-151
103912RX	S	19-31	229507X	S	19-102	283935X	S	19-69	289512RX	S	19-60
103912X	S	19-31	229509RX	S	19-102	283940RX	S	19-28	289512X	S	19-60
104240RX	S	19-58	229509X	S	19-102	283940X	S	19-28	289714RX	S	19-106
104240X	S	19-58	229585K	S	19-147	284280X	S	19-134	289714X	S	19-106
106284RX	S	19-26	229635RX	S	19-68	284760RX	S	19-78	298817	S	19-145
106284X	S	19-26	229635X	S	19-68	284760X	S	19-78	298818	S	19-145
106941X	S	19-99	229813RX	S	19-105	284795RX	S	19-112	3100X	S	19-39
10713	O	19-142	229813X	S	19-105	284795X	S	19-112	4721707910X	S	19-121
10719	O	19-142	229844RX	S	19-105	286171RX	S	19-77	4721707970X	S	19-121
107216K	S	19-148	229844X	S	19-105	286171X	S	19-77	4721950050X	S	19-120
107217K	S	19-148	229859RX	S	19-105	286364RX	S	19-109	4721950520X	S	19-120
109264RX	S	19-33	229859X	S	19-105	286364X	S	19-109	4721950760X	S	19-120
109264X	S	19-33	229860RX	S	19-105	286370RX	S	19-29	4721950770X	S	19-120
109265K	S	19-147	229860X	S	19-105	286370X	S	19-29	4721950780X	S	19-120
110139X	S	19-36	276119K	S	19-151	286371RX	S	19-29	4721950790X	S	19-120
110147X	S	19-130	276270X	S	19-67	286371X	S	19-29	4721950800X	S	19-120
110148X	S	19-130	276272RX	S	19-67	286500RX	S	19-91	4721950810X	S	19-120
110170RX	S	19-129	276272X	S	19-67	286500X	S	19-91	4721950820X	S	19-120
110170X	S	19-129	276462RX	S	19-59	286773RX	S	19-78	4721950830X	S	19-120
110171X	S	19-129	276462X	S	19-59	286773X	S	19-78	4725001000X	S	19-115
110191X	S	19-129	276566RX	S	19-58	286774RX	S	19-78	4725001010X	S	19-115
110197RX	S	19-40	276566X	S	19-58	286774X	S	19-78	4725001020X	S	19-115
110197X	S	19-40	276567RX	S	19-58	286775RX	S	19-78	4725001030X	S	19-115
110200X	S	19-136	276567X	S	19-58	286775X	S	19-78	4725001200X	S	19-115
110205X	S	19-136	276569RX	S	19-58	287072K	S	19-151	4725001210X	S	19-115
110207X	S	19-37	276569X	S	19-58	287114RX	S	19-30	4725001220X	S	19-115
110310X	S	19-129	277147RX	S	19-90	287114X	S	19-30	4725001230X	S	19-115
110315X	S	19-129	277147X	S	19-90	287224RX	S	19-29	4725001240X	S	19-115
110338X	S	19-136	277148RX	S	19-90	287224X	S	19-29	4725001250X	S	19-115

Type "O" = OEM P/N, Type "S" = Service P/N

If OEM part # is not found on page listed, refer to the MCR for applicable cross reference.

Part Number Index

19-VALVES

Part Number	Type	Page #	Part Number	Type	Page #	Part Number	Type	Page #	Part Number	Type	Page #
4725002030X	S	19-115	A86473	S	19-21	KN20621	S	19-49	KN28131	S	19-14
4725002220X	S	19-115	A86473X	S	19-21	KN20622	S	19-49	KN28131X	S	19-14
4725002230X	S	19-115	A86477	S	19-21	KN20623	S	19-49	KN28132	S	19-15
4725002240X	S	19-115	A86477X	S	19-21	KN20629	S	19-49	KN28132X	S	19-15
4725002250X	S	19-115	A87940	S	19-54	KN20632	S	19-48	KN28140	S	19-14
4725003000X	S	19-118	AC42150	O	19-142	KN20636	S	19-48	KN28140X	S	19-14
4725003010X	S	19-118	AD25079	O	19-144	KN20700	S	19-46	KN28300	S	19-19
4725003020X	S	19-118	AD32917	O	19-83	KN20900	S	19-143	KN28300X	S	19-19
4725003200X	S	19-118	AD75530	O	19-147	KN20901	S	19-143	KN28500	S	19-12
4725003210X	S	19-118	AD83034	O	19-54	KN20902	S	19-143	KN28500RX	S	19-12
4725003220X	S	19-118	AD83580	O	19-54	KN20903	S	19-143	KN28500X	S	19-12
51301RX	S	19-131	AD86477	O	19-21	KN20904	S	19-144	KN28510	S	19-12
51321RX	S	19-131	AD87940	O	19-54	KN20950	S	19-144	KN28510RX	S	19-12
65125RX	S	19-32	AE103600	O	19-21	KN20951	S	19-144	KN28510X	S	19-12
65125X	S	19-32	AE86473	O	19-21	KN21004	S	19-111	KN28514RX	S	19-12
65145RX	S	19-27	AE86477	O	19-21	KN21008	S	19-111	KN28514X	S	19-12
65145X	S	19-27	AF103600	O	19-21	KN21100	S	19-111	KN28520	S	19-12
65146RX	S	19-27	AF130600	O	19-21	KN21102	S	19-111	KN28520RX	S	19-12
65146X	S	19-27	AF86472	O	19-21	KN21103	S	19-111	KN28520X	S	19-12
65154X	S	19-104	AF86472	O	19-21	KN21104	S	19-111	KN28531	S	19-12
65303RX	S	19-31	AF86473	O	19-21	KN21105	S	19-111	KN28531X	S	19-12
65303X	S	19-31	AF86477	O	19-21	KN22100	S	19-71	KN28550	S	19-13
65313X	S	19-80	AF86477	O	19-15	KN22100X	S	19-71	KN28551	S	19-13
65395X	S	19-81	CANCELLED	O	19-100	KN22150	S	19-72	KN28600	S	19-122
65430X	S	19-34	K095875RX	S	19-65	KN22501	S	19-73	KN28600RX	S	19-122
65437RX	S	19-127	K145151	S	19-146	KN22511	S	19-73	KN28600X	S	19-122
65437X	S	19-127	K1451510	S	19-146	KN22521	S	19-73	KN28601	S	19-122
65439RX	S	19-127	K1451511	S	19-146	KN22600	S	19-73	KN28601RX	S	19-122
65439X	S	19-127	K1451517	S	19-146	KN22610	S	19-73	KN28601X	S	19-122
6997312RX	S	19-138	K145157	S	19-146	KN22620	S	19-73	KN28602	S	19-122
6997312X	S	19-138	K145158	S	19-146	KN23000	S	19-82	KN28603	S	19-122
6997324X	S	19-138	K200800	S	19-148	KN23010	S	19-82	KN30100	S	19-132
800034X	S	19-64	K200900	S	19-148	KN23040	S	19-82	KN30100X	S	19-132
800516RX	S	19-66	K201100	S	19-148	KN23060	S	19-82	KN30200	S	19-132
800517RX	S	19-66	K202000	S	19-25	KN23080	S	19-82	KN30200X	S	19-132
800521RX	S	19-66	K202001	S	19-25	KN23500	S	19-114	KN30300	S	19-132
800573RX	S	19-66	K202002	S	19-25	KN24000	S	19-110	KN30300RX	S	19-132
90554107	S	19-89	K202003	S	19-25	KN24000X	S	19-110	KN30300X	S	19-132
90554107	O	19-89	K202010	S	19-25	KN24001	S	19-110	KN30400	S	19-132
90554151	S	19-89	K202011	S	19-25	KN24003	S	19-110	KN30400RX	S	19-132
90555396	S	19-89	K202012	S	19-25	KN24100	S	19-150	KN30400X	S	19-132
90555396	O	19-89	K202013	S	19-25	KN25060	S	19-84	KN31025	S	19-141
90555397	S	19-89	K202014	S	19-25	KN25061	S	19-83	KN31026	S	19-141
90555397	O	19-89	K202015	S	19-25	KN25080	S	19-83	KN31040	S	19-86
90555398	S	19-89	KN16743	S	19-137	KN25090	S	19-83	KN31041	S	19-87
90555398	O	19-89	KN20001	S	19-45	KN25100	S	19-83	KN31050	S	19-86
90555399	O	19-89	KN20002	S	19-45	KN25110	S	19-83	KN31060	S	19-86
90555400	O	19-89	KN20010	S	19-55	KN25120	S	19-83	KN31070	S	19-88
90555401	O	19-89	KN20011	S	19-55	KN26000RX	S	19-123	KN31200	S	19-92
90555406	O	19-89	KN20015	S	19-55	KN26000X	S	19-123	KN31250	S	19-92
90555407	O	19-89	KN20021	S	19-50	KN26010	S	19-123	KN31300	S	19-92
90555408	O	19-89	KN20022	S	19-50	KN26010X	S	19-123	KN31400	S	19-92
90555409	S	19-89	KN20023	S	19-50	KN26020	S	19-123	KN31450	S	19-92
90555409	O	19-89	KN20025	S	19-51	KN26020X	S	19-123	KN31526	S	19-92
90555410	S	19-89	KN20031	S	19-53	KN26110	S	19-124	KN31527	S	19-92
90555410	O	19-89	KN20033	S	19-53	KN26120	S	19-124	KN31528	S	19-92
90555411	S	19-89	KN20035	S	19-52	KN26121	S	19-124	KN31529	S	19-92
90555411	O	19-89	KN20061	S	19-56	KN28030	S	19-107	KN32003	S	19-100
9125X	S	19-41	KN20080	S	19-47	KN28030X	S	19-107	KN32005	S	19-100
9730110210X	S	19-117	KN20090	S	19-47	KN28032	S	19-108	KN32006	S	19-100
9730110220X	S	19-117	KN20110	S	19-47	KN28034	S	19-107	KN32011	S	19-100
9730110230X	S	19-117	KN20541	S	19-42	KN28041	S	19-23	KN32013	S	19-100
9730110240X	S	19-117	KN20542	S	19-42	KN28042	S	19-20	KN32014	S	19-100
9730110250X	S	19-117	KN20543	S	19-148	KN28043	S	19-16	KN32040	S	19-101
9730110260X	S	19-117	KN20547	S	19-42	KN28054	S	19-17	KN32041	S	19-101
9730110270X	S	19-117	KN20561	S	19-43	KN28055	S	19-24	KN32042	S	19-101
9730110280X	S	19-117	KN20562	S	19-43	KN28060	S	19-15	KN32043	S	19-101
9735001040X	S	19-119	KN20580	S	19-44	KN28060RX	S	19-15	KN32050	S	19-100
9735001050X	S	19-119	KN20581	S	19-44	KN28060X	S	19-15	KN32060	S	19-100
9735001060X	S	19-119	KN20590	S	19-44	KN28061	S	19-15	KN34060	S	19-95
A1000SX	S	19-135	KN20601	S	19-48	KN28061X	S	19-15	KN34060X	S	19-95
A103600	S	19-21	KN20602	S	19-48	KN28065	S	19-18	KN34061	S	19-95
A103600X	S	19-21	KN20603	S	19-48	KN28065X	S	19-18	KN34080X	S	19-94
A25079	S	19-144	KN20605	S	19-48	KN28071	S	19-16	KN34090X	S	19-94
A3546X	S	19-137	KN20606	S	19-48	KN28071RX	S	19-16	KN34100X	S	19-94
A42150	S	19-142	KN20607	S	19-48	KN28071X	S	19-16	KN34101	S	19-93
A4688X	S	19-137	KN20611	S	19-48	KN28080	S	19-22	KN34110	S	19-93
A75530	S	19-147	KN20612	S	19-48	KN28080RX	S	19-22	KN34110X	S	19-94
A83034	S	19-54	KN20615	S	19-48	KN28080X	S	19-22	KN34111	S	19-93
A83580	S	19-54	KN20616	S	19-48	KN28085	S	19-22	KN34123	S	19-93
A86472	S	19-21	KN20619	S	19-49	KN28085X	S	19-22	KN34130	S	19-93

Type "O" = OEM P/N, Type "S" = Service P/N

If OEM part # is not found on page listed, refer to the MCR for applicable cross reference.

19-VALVES

Part Number Index

Part Number	Type	Page #	Part Number	Type	Page #	Part Number	Type	Page #	Part Number	Type	Page #
KN34131	S	19-93	N14514AT	O	19-144	N20879H	O	19-110	N20964	O	19-52
KN3546	S	19-137	N14515A	O	19-146	N20879J	O	19-110	N20964D	O	19-52
KN4487	S	19-137	N14515AB	S	19-146	N20879K	O	19-110	N20966A	O	19-83
KN4490	S	19-137	N14515AB	O	19-146	N20879M	O	19-110	N20966B	O	19-83
KN4491	S	19-137	N14515AG	O	19-146	N20928A	O	19-53	N20966BA	O	19-83
KN4688	S	19-137	N14515G	O	19-146	N20928B	O	19-53	N20966C	O	19-83
KN4900	S	19-137	N14515H	O	19-146	N20928C	O	19-53	N20966E	O	19-83
KN5010	S	19-137	N14515L	O	19-146	N20928CB	O	19-53	N20966F	O	19-83
KN5015	S	19-137	N14515T	O	19-146	N20928CG	O	19-53	N20966G	O	19-83
KN68230	S	19-113	N15285M	S	19-148	N20928CH	O	19-53	N20966H	O	19-83
KN68237	S	19-113	N15285P	O	19-148	N20928CK	O	19-53	N20966J	O	19-83
KQ205450	S	19-148	N15285P	O	19-148	N20928CL	O	19-53	N20966K	O	19-83
N10044K	O	19-88	N15696A	O	19-83	N20928CL	S	19-53	N20966L	O	19-83
N10083F	O	19-141	N15696C	O	19-83	N20928CL	O	19-53	N20966M	O	19-83
N10083K	O	19-141	N15696F	O	19-83	N20928CM	S	19-53	N20966N	O	19-83
N1178AA	O	19-92	N15696H	O	19-83	N20928CM	O	19-53	N20966N	O	19-83
N1178AA	O	19-92	N15696N	O	19-83	N20928CN	O	19-53	N20966R	O	19-83
N1178AB	O	19-92	N15696R	O	19-83	N20928CP	O	19-53	N20966T	O	19-83
N1178AC	O	19-92	N15696S	O	19-83	N20928CP	O	19-53	N300100AP	O	19-14
N1178BA	O	19-92	N15696X	O	19-83	N20928G	O	19-53	N300100HJ	O	19-16
N1178BB	O	19-92	N15696Y	O	19-83	N20938CK	O	19-53	N30028S	O	19-71
N1178CA	O	19-92	N15760	O	19-56	N20949AA	O	19-95	N30056BD	O	19-74
N1178CB	O	19-92	N15760G	O	19-56	N20949CA	O	19-95	N30056BK	O	19-74
N1178DE	O	19-92	N15791D	O	19-47	N20949CE	O	19-95	N30056BL	O	19-74
N1178DF	O	19-92	N15791F	O	19-47	N20949CF	O	19-95	N30056BR	O	19-74
N1178EC	O	19-92	N15791H	S	19-47	N20949DA	O	19-95	N30056BV	O	19-74
N1178EE	O	19-92	N15791H	O	19-47	N20950	O	19-107	N30056BW	O	19-74
N1178EF	O	19-92	N15791J	O	19-47	N20950AA	O	19-107	N30056BW	O	19-74
N1178J	O	19-92	N15791M	O	19-47	N20950AB	O	19-107	N30056BW	O	19-74
N13440DA	O	19-45	N15791T	S	19-47	N20950BA	O	19-107	N30056BX	O	19-74
N13440DB	O	19-45	N15791T	O	19-47	N20950C	O	19-107	N30056BX	O	19-74
N13440DC	O	19-45	N15791V	S	19-47	N20950CA	O	19-108	N30056CB	O	19-74
N13440DG	O	19-45	N15791V	O	19-47	N20950CB	O	19-108	N30072EB	O	19-73
N13440DH	O	19-45	N15817A	O	19-86	N20950CC	O	19-108	N30072FA	O	19-73
N13440DJ	O	19-45	N15817E	O	19-86	N20950CD	O	19-108	N30072FB	O	19-73
N13440DK	O	19-45	N15817F	O	19-86	N20952AA	O	19-101	N30072FB	O	19-73
N13440DL	O	19-45	N15817G	O	19-86	N20952AB	O	19-101	N30072FC	O	19-73
N13440DN	O	19-45	N15817K	O	19-86	N20952AC	O	19-101	N30072GA	O	19-73
N13440DS	O	19-45	N15817M	O	19-86	N20952AD	O	19-101	N30072GB	O	19-73
N13440DW	O	19-45	N15841	O	19-111	N20952AE	O	19-101	N30072GC	O	19-73
N13440FA	O	19-46	N15841C	O	19-142	N20952AE	O	19-101	N30072HA	O	19-73
N13440FB	O	19-46	N15842H	O	19-114	N20952AF	O	19-101	N30072HB	O	19-73
N13440JA	O	19-45	N15842J	O	19-114	N20952BA	O	19-101	N30072HC	O	19-73
N13440L	O	19-45	N15843	O	19-54	N20952BA	O	19-101	N30072HD	O	19-73
N13526	O	19-82	N15902B	O	19-89	N20952BB	O	19-101	N30096E	O	19-15
N13526AG	O	19-82	N20566R	O	19-83	N20952BD	O	19-101	N30096F	O	19-15
N13526AJ	O	19-82	N20837	O	19-71	N20954A	O	19-84	N30096FA	O	19-15
N13526AK	O	19-82	N20837AA	O	19-71	N20954A	O	19-83	N30096FB	O	19-15
N13526AX	O	19-82	N20837B	O	19-71	N20955DA	O	19-100	N30096FC	O	19-22
N13526AY	O	19-82	N20837C	O	19-71	N20959	O	19-100	N30096FD	O	19-22
N13526BD	O	19-82	N20837J	O	19-71	N20959A	O	19-100	N30096G	O	19-15
N13526BE	O	19-82	N20837N	O	19-71	N20959AB	O	19-101	N30096JA	O	19-72
N13526BG	O	19-82	N20878	O	19-110	N20959AD	O	19-101	N30096L	O	19-15
N13526BJ	O	19-82	N20878A	O	19-110	N20959B	O	19-100	N30096M	O	19-15
N13526BK	O	19-82	N20878B	O	19-110	N20959CA	O	19-100	N30096N	O	19-22
N13526BL	O	19-82	N20878C	O	19-110	N20959DA	O	19-100	N30096O	O	19-22
N13526BL	O	19-82	N20878D	O	19-110	N20959DB	O	19-100	N30096P	O	19-22
N13526BM	O	19-82	N20878E	O	19-110	N20959DB	O	19-100	N30096PA	O	19-19
N13526BR	O	19-82	N20878F	O	19-110	N20959DC	O	19-100	N30096PB	O	19-15
N13526BT	O	19-82	N20878H	O	19-110	N20959EA	O	19-100	N30096PC	O	19-19
N13526D	O	19-82	N20878K	O	19-110	N20959EB	O	19-100	N30099BB	O	19-72
N13526H	O	19-82	N20878M	O	19-110	N20959EC	O	19-100	N30099BC	O	19-72
N13526J	O	19-82	N20878N	O	19-110	N20959FA	O	19-100	N30099JB	O	19-72
N13553E	O	19-142	N20878P	O	19-110	N20959HA	O	19-100	N30099JA	O	19-72
N13680BZ	O	19-87	N20879	O	19-110	N20959HB	O	19-100	N30099JF	O	19-72
N13680BZ	S	19-87	N20879A	O	19-110	N20959HC	O	19-100	N30099LA	O	19-72
N13680BZ	O	19-87	N20879A	O	19-110	N20959HC	O	19-100	N30099LB	O	19-72
N14488	O	19-55	N20879B	O	19-110	N20959KA	O	19-100	N30099LC	O	19-72
N14488AC	O	19-55	N20879B	O	19-110	N20959LA	O	19-100	N30099LF	O	19-72
N14488AE	O	19-55	N20879BA	O	19-110	N20959MA	O	19-100	N30099LJ	O	19-72
N14488AM	O	19-55	N20879BB	O	19-110	N20959MB	O	19-100	N30099LL	O	19-72
N14488F	O	19-55	N20879C	O	19-110	N20959MF	O	19-100	N30099LM	O	19-72
N14488R	O	19-55	N20879CA	O	19-110	N20959NB	O	19-100	N30099LR	O	19-72
N14488R	O	19-55	N20879CB	O	19-110	N20959NC	O	19-100	N30099LT	O	19-72
N14488W	O	19-55	N20879CC	O	19-110	N20959ND	O	19-100	N30099PA	O	19-72
N14514	S	19-144	N20879CF	O	19-110	N20959NE	O	19-100	N30100AA	O	19-16
N14514	O	19-144	N20879D	O	19-110	N20960	O	19-50	N30100AD	O	19-16
N14514AA	O	19-143	N20879E	O	19-110	N20960	O	19-50	N30100AD	O	19-16
N14514AB	O	19-143	N20879FA	O	19-110	N20960A	O	19-50	N30100AG	O	19-14
N14514AC	O	19-143	N20879FB	O	19-110	N20960B	O	19-50	N30100AN	O	19-16
N14514AD	O	19-143	N20879GA	O	19-110	N20961	O	19-51	N30100AR	O	19-18

Type "O" = OEM P/N, Type "S" = Service P/N

If OEM part # is not found on page listed, refer to the MCR for applicable cross reference.

Part Number Index

19-VALVES

Part Number	Type	Page #	Part Number	Type	Page #	Part Number	Type	Page #	Part Number	Type	Page #
N30100AR	O	19-22	N30108BE	O	19-42	N3613BC	O	19-111	N4304BB	O	19-122
N30100AS	O	19-16	N30108BF	O	19-12	N3613BD	O	19-111	N4304C	O	19-122
N30100AT	O	19-16	N30108BG	O	19-12	N3613BE	O	19-111	N4304FA	O	19-122
N30100BA	O	19-21	N30108BH	O	19-12	N3613BF	O	19-111	N4304FB	O	19-122
N30100HH	O	19-16	N30108BJ	O	19-12	N3613BF	O	19-111	N4304FC	O	19-122
N30100HJ	O	19-16	N30108BK	O	19-12	N3613BG	O	19-111	N4304FD	O	19-122
N30100JA	O	19-16	N30108BL	O	19-12	N3613BH	O	19-111	N4304FE	O	19-122
N30100JA	O	19-20	N30108BM	O	19-12	N3613BJ	O	19-111	N4305A	O	19-123
N30100JB	O	19-20	N30108BP	O	19-12	N3613BJ	O	19-111	N4305AA	O	19-123
N30100JB	O	19-22	N30108BP	O	19-12	N3613BK	O	19-111	N4305AA	O	19-123
N30100JC	O	19-20	N30108JB	O	19-22	N3613BL	O	19-111	N4305B	O	19-123
N30100JC	O	19-16	N30110	O	19-13	N3613BN	O	19-111	N4305C	O	19-123
N30100JD	O	19-16	N30110A	O	19-13	N3613BP	O	19-111	N4305D	O	19-123
N30100JD	O	19-20	N30110A	O	19-13	N3613BT	O	19-111	N4305FB	O	19-122
N30100JE	O	19-20	N30110BA	O	19-13	N3613BV	O	19-111	N4400	O	19-48
N30100JE	O	19-22	N30111	O	19-24	N3613BW	O	19-111	N4400A	O	19-48
N30100JH	O	19-20	N30111A	O	19-24	N3613BY	O	19-111	N4400B	O	19-48
N30100JJ	O	19-20	N30111B	O	19-24	N3613BZ	O	19-111	N4400BA	O	19-49
N30100KA	O	19-16	N30111C	O	19-24	N3613C	O	19-111	N4400BB	O	19-49
N30100KB	O	19-16	N30111D	O	19-24	N3613CA	O	19-111	N4400BC	O	19-49
N30100KC	O	19-16	N30111E	O	19-17	N3613CB	O	19-111	N4400BF	O	19-48
N30100KD	O	19-16	N30111F	O	19-24	N3613CC	O	19-111	N4400C	O	19-48
N30100KE	O	19-16	N30160B	O	19-43	N3613CD	O	19-111	N4400D	O	19-48
N30100KF	O	19-16	N30160BK	O	19-43	N3613CF	O	19-111	N4400D	O	19-48
N30100KG	O	19-16	N30161AH	O	19-43	N3613CG	O	19-111	N4400DA	O	19-49
N30100KH	O	19-16	N30161AJ	O	19-43	N3613CH	O	19-111	N4400E	O	19-48
N30100KK	O	19-16	N30161AK	O	19-43	N3613CM	O	19-111	N4400EA	O	19-48
N30100LC	O	19-16	N30161E	O	19-43	N3613CN	O	19-111	N4400EB	O	19-48
N30100MA	O	19-23	N30161N	O	19-43	N3613CP	O	19-111	N4400EB	O	19-48
N30100MB	O	19-23	N30162AA	O	19-93	N3613D	O	19-111	N4400EC	O	19-48
N30100MC	O	19-23	N30162GA	O	19-93	N3613E	O	19-111	N4400ED	O	19-48
N30100MD	O	19-23	N30162HA	O	19-93	N3613E	O	19-111	N4400EE	O	19-48
N30100NA	O	19-23	N30162MA	O	19-93	N3613F	O	19-111	N4400EF	O	19-48
N30100PA	O	19-20	N30162ME	O	19-93	N3613G	O	19-111	N4400EG	O	19-48
N30103BA	O	19-42	N30162MG	O	19-93	N3613H	O	19-111	N4400EH	O	19-48
N30103BB	O	19-42	N30162NA	O	19-93	N3613J	O	19-111	N4400EJ	O	19-48
N30103BC	O	19-42	N30162PA	O	19-93	N3613K	O	19-111	N4400EK	O	19-48
N30103BD	O	19-42	N30162PB	O	19-93	N3613L	O	19-111	N4400EL	O	19-49
N30103BD	O	19-12	N30162PC	O	19-93	N3613L	O	19-111	N4400EN	O	19-49
N30103BE	O	19-42	N30162RA	O	19-43	N3613M	O	19-111	N4400EP	O	19-49
N30103BF	O	19-42	N30162RD	O	19-93	N3613N	O	19-111	N4400ER	O	19-49
N30103BG	O	19-42	N30162RF	O	19-93	N3613P	O	19-111	N4400EZ	O	19-49
N30103BH	O	19-42	N30162RJ	O	19-93	N3613P	O	19-111	N4400F	O	19-48
N30103BK	O	19-42	N30250A	O	19-92	N3613P	O	19-111	N4400FB	O	19-49
N30103BL	O	19-42	N30252	O	19-82	N3613PA	O	19-111	N4400FB	O	19-48
N30103BM	O	19-42	N30252B	O	19-82	N3613PB	O	19-111	N4400FE	O	19-48
N30103BN	O	19-42	N30256C	O	19-142	N3613PC	O	19-111	N4400G	O	19-48
N30103BP	O	19-42	N30262	O	19-52	N3613PD	O	19-111	N4400GA	O	19-49
N30103BR	O	19-42	N30949C	O	19-95	N3613R	O	19-111	N4400GF	O	19-48
N30103BS	O	19-42	N34031	O	19-124	N3613S	O	19-111	N4400GH	O	19-48
N30103BY	O	19-42	N34031A	O	19-124	N3613T	O	19-111	N4400H	O	19-48
N30103BZ	O	19-42	N34031AA	O	19-124	N3613V	O	19-111	N4400J	O	19-48
N30103FC	O	19-42	N36136Z	O	19-111	N3613W	O	19-111	N4400K	O	19-48
N30103FK	O	19-42	N3613A	O	19-111	N3613W	O	19-111	N4400L	O	19-48
N30105B	O	19-44	N3613AB	O	19-111	N3613Y	O	19-111	N4400M	O	19-48
N30105C	O	19-44	N3613AC	O	19-111	N3613Z	O	19-111	N4400N	O	19-48
N30105D	O	19-44	N3613AD	O	19-111	N4301	O	19-132	N4400T	O	19-48
N30106AA	O	19-14	N3613AE	O	19-111	N4301A	O	19-132	N50000	O	19-84
N30106D	O	19-14	N3613AE	O	19-111	N4301AA	O	19-132	N50000B	O	19-83
N30106D	O	19-15	N3613AF	O	19-111	N4301AB	O	19-132	N50000B	O	19-83
N30106F	O	19-14	N3613AF	O	19-111	N4301AC	O	19-132	N50002B	O	19-108
N30108A	O	19-12	N3613AG	O	19-111	N4301AF	O	19-132	N50004	O	19-14
N30108AA	O	19-12	N3613AH	O	19-111	N4301B	O	19-132	N50004A	O	19-14
N30108AC	O	19-12	N3613AH	O	19-111	N4301BA	O	19-132	N50004E	O	19-22
N30108AC	O	19-12	N3613AJ	O	19-111	N4301CA	O	19-132	N50006D	O	19-42
N30108AD	O	19-12	N3613AK	O	19-111	N4301CA	O	19-132	N50008A	O	19-123
N30108AE	O	19-12	N3613AL	O	19-111	N4301CB	O	19-132	N50009	O	19-100
N30108AG	O	19-12	N3613AM	O	19-111	N4301CC	O	19-132	N50009	O	19-100
N30108AH	O	19-12	N3613AN	O	19-111	N4301CD	O	19-132	N50009A	O	19-100
N30108AJ	O	19-12	N3613AP	O	19-111	N4302A	O	19-123	N50009B	O	19-100
N30108AK	O	19-12	N3613AR	O	19-111	N4302AA	O	19-123	N50022	O	19-44
N30108AK	O	19-12	N3613AS	O	19-111	N4302AD	O	19-123	N50024A	O	19-16
N30108AL	O	19-12	N3613AT	O	19-111	N4304A	O	19-122	RH65060X	S	19-70
N30108AN	O	19-12	N3613AV	O	19-111	N4304AB	O	19-122	RH65077X	S	19-57
N30108BA	O	19-12	N3613AV	O	19-111	N4304AC	O	19-122	RM388X	S	19-140
N30108BA	O	19-12	N3613AW	O	19-111	N4304AD	O	19-122	RM9001X	S	19-139
N30108BB	O	19-12	N3613AY	O	19-111	N4304AE	O	19-122	RM900DX	S	19-139
N30108BC	O	19-12	N3613AZ	O	19-111	N4304AE	O	19-122	RN10BX	S	19-151
N30108BD	O	19-12	N3613AZ	O	19-111	N4304AG	O	19-122	RN10CH	S	19-151
N30108BD	O	19-12	N3613B	O	19-111	N4304AL	O	19-122	RN10CH	O	19-151
N30108BE	O	19-12	N3613BB	O	19-111	N4304BA	O	19-122	RN10EV	S	19-151

Type "O" = OEM P/N, Type "S" = Service P/N

If OEM part # is not found on page listed, refer to the MCR for applicable cross reference.

19-VALVES

Part Number Index

Part Number	Type	Page #	Part Number	Type	Page #	Part Number	Type	Page #	Part Number	Type	Page #
RN10EV	O	19-151									
RN10GJ	S	19-148									
RN10HB	S	19-147									
RN10HB	O	19-147									
RN10HH	S	19-150									
RN10HH	O	19-150									
RN10HK	S	19-147									
RN10HK	O	19-147									
RN10HL	S	19-147									
RN10HL	O	19-147									
RN10HM	S	19-147									
RN10HM	O	19-147									
RN10HP	S	19-147									
RN10HW	S	19-151									
RN10HY	S	19-151									
RN10HZ	S	19-151									
RN10JM	S	19-151									
RN10JM	O	19-151									
RN10JP	S	19-151									
RN10JP	O	19-151									
RN10JT	S	19-151									
RN10JZ	S	19-147									
RN10JZ	O	19-147									
RN10Y	S	19-151									
RN10Y	O	19-151									
RN11V	S	19-151									
RN11V	O	19-151									
RN11W	S	19-151									
RN17Y	S	19-151									
RN19AF	S	19-151									
RN19AF	O	19-151									
RN31A	S	19-148									
RN31BC	S	19-149									
RN31BC	O	19-149									
RN31BF	S	19-148									
RN31BF	O	19-148									
RN31BM	S	19-148									
RN31BM	O	19-148									
RN31BP	S	19-148									
RN31BP	O	19-148									
RN34F	S	19-148									
RN34H	S	19-148									
SN3713G	O	19-132									
SN4017A	S	19-74									
SN4017A	O	19-74									
SN4017E	O	19-74									
SN4017E	S	19-74									
SN4017F	S	19-74									
SN4017F	O	19-74									
VN3613CC	O	19-111									

Type "O" = OEM P/N, Type "S" = Service P/N

If OEM part # is not found on page listed, refer to the MCR for applicable cross reference.

PURPOSE OF THIS SECTION

This section is designed as a reference for Haldex new and remanufactured air brake system components and accessories, sold under the Haldex and Midland product names. Products described include all pertinent information needed to replace an OEM installed component or to help design an original installation. If there is a service number for a given part, it is noted in the product number table.

DESIGN FLEXIBILITY

The products presented in this section are described by function and usage. Technical data and mounting configurations are also provided. Throughout this section, reference is made to numerous specific OEM applications. This section is not, however, intended to be a mutually exclusive listing of all part numbers and designs available. Should the need for a design not presented occur, contact your Haldex sales representative for additional information.

WARRANTY INFORMATION

Proper service and repair are important to the safe, reliable operation of any motor vehicle. To prevent personal injury and/or vehicle damage, careful and cautious service procedures recommended by the vehicle manufacturer should be followed by anyone servicing a motor vehicle. For details on warranty of Haldex air brake system components and accessories, refer to L20221 Aftermarket Warranty Policy. For warranty returns, use L90005 Warranty Adjustment Form. To obtain further information, visit the www.haldex.com website, select **North America/English** in drop down box then search for **Warranty**.

ORDERING PROCEDURE

Most customers can place electronic orders on the www.haldex.com website by obtaining a username and password or by using EDI. For additional information about electronic orders or to place an order by phone or fax, contact Customer Service in U.S. or Canada at numbers listed below:

U.S. Customer Service:

Phone: 800-643-2374
 Fax: 800-533-1941
 Mail: Haldex Brake Products Corporation
 Attn: Customer Service Department
 10930 N. Pomona Ave.
 Kansas City, MO 64153

Canada Customer Service:

Phone: 800-267-9247
 Fax: 519-621-3924
 Mail: Haldex Limited
 Canadian Distribution Centre
 Attn: Customer Service Department
 500 Pinebush Road, Unit 1
 Cambridge, Ontario N1T 0A5

IMPORTANT NOTICE

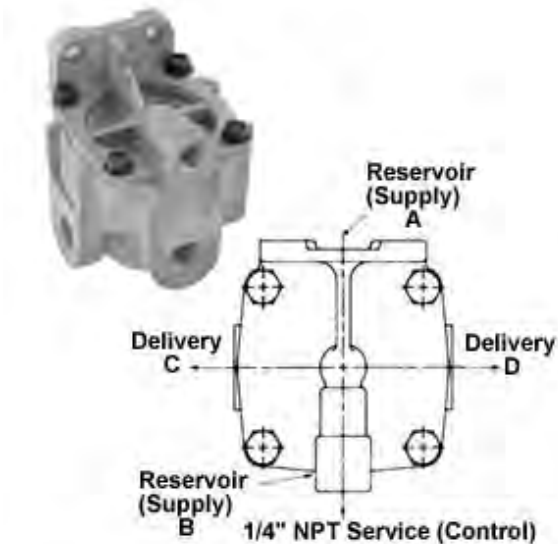
The data listed herein is correct to the best of Haldex's knowledge and belief, having been compiled from reliable and official sources of information. However, HALDEX CANNOT ASSUME ANY RESPONSIBILITY for possible error or misapplication of the product. Final determination of the suitability of the products for the use contemplated by the Buyer is the sole responsibility of the Buyer. Haldex shall have no responsibility in connection with this suitability. It is not our intention to imply that any of the components in this catalog in connection with an engine make or model are made by any engine manufacturer.

Copyright 2015
 Haldex Brake Products Corporation
 10930 N. Pomona Ave.
 Kansas City, MO 64153

All rights reserved.
 Materials may only be reproduced with written permission of Haldex.

Haldex (New and Remanufactured)

RG2 – 2 Port Trailer Valve



Picture illustrates 90° control port position. 0° would locate port in line with delivery port "D".

Features:

- A fast relay used to apply and release service brakes on tractor or trailer.
- Compact size.
- Two port delivery.
- Cover may be rotated without affecting performance or warranty.
- Control position is in relationship to delivery ports.

Specifications:

Width	3-1/2"
Length	3-1/2"
Height	3-5/8"
Control Port	1/4"
Cracking Pressure	5.6 ± 1.0 PSI
Mounting Holes (2)	.34" diameter on 1.50" centers
Approximate Weight	1.5 lbs.

Notes:

- 1) Repair Kit use part number RN10HM.

SKU#	Product Description	Sup. A	Sup. B	Del. C	Del. D	Cont. Pos.	Plugs Included	OEM Part Number	Core Group
KN28500	RG2 Relay Valve	3/8"	3/8"	3/8"	3/8"	90°	1 @ 3/8"	N30108BC	-
KN28500RX	Reman. RG2 Relay Valve - CoreFree™	3/8"	3/8"	3/8"	3/8"	90°	1 @ 3/8"	N30108BC	-
KN28500X	Reman. RG2 Relay Valve	3/8"	3/8"	3/8"	3/8"	90°	1 @ 3/8"	N30108BC	225
KN28510	RG2 Relay Valve	3/8"	1/2"	3/8"	3/8"	90°	1 @ 1/2" 1 @ 3/8"	N30108BK	-
KN28510RX	Reman. RG2 Relay Valve - CoreFree™	1/2"	-	3/8"	3/8"	90°	1 @ 3/8"	N30108AK	-
KN28510X	Reman. RG2 Relay Valve	1/2"	-	3/8"	3/8"	90°	1 @ 3/8"	N30108AK	225
KN28514RX	Reman. RG2 Relay Valve - CoreFree™	1/2"	3/8"	3/8"	3/8"	90°	1 @ 1/2" 1 @ 3/8"	N30108BK	-
KN28514X	Reman. RG2 Relay Valve	1/2"	3/8"	3/8"	3/8"	90°	1 @ 1/2" 1 @ 3/8"	N30108BK	225
KN28520	RG2 Relay Valve	1/2"	1/2"	1/2"	1/2"	90°	1 @ 1/2"	N30108BF	-
KN28520RX	Reman. RG2 Relay Valve - CoreFree™	1/2"	1/2"	1/2"	1/2"	90°	1 @ 1/2"	N30108BF	-
KN28520X	Reman. RG2 Relay Valve	1/2"	1/2"	1/2"	1/2"	90°	1 @ 1/2"	N30108BF	225
KN28531	RG2 Relay Valve	1/2"	3/8"	3/8"	3/8"	0°	-	N30108BH	-
KN28531X	Reman. RG2 Relay Valve	1/2"	3/8"	3/8"	3/8"	0°	-	N30108BH	225

Haldex (New and Remanufactured)

RG5 – 2 Port Trailer Valve



Features:

- Used on 2 tank, 3 valve trailer systems and tractor applications.
- Made of durable (EGC) Engineering Grade Composite.
- Corrosion and rust proof.
- All ports molded-in identification.
- Interchangeable with competitive valves.
- Compact size.

Specifications:

Width	3-3/8"
Length	3-3/8"
Height	2-3/4"
Crack Pressure	6.0 PSI
Approximate Weight	.8 lbs.

SKU#	Product Description	Supply A	Supply B	Delivery C	Delivery D	Control Port	Bracket	OEM Part Number
KN28550	RG5 – 2 Delivery Port Relay Valve	1/2" x 3/8" nipple installed at factory	Plugged	3/8"	3/8"	1/4"	No	N30110A
KN28551	RG5 – 2 Delivery Port Relay Valve	Plugged	3/8"	3/8"	3/8"	1/4"	Yes	N30110BA

Haldex (New and Remanufactured)

2 Port



Features:

- 2 Port Delivery
- Multi-Application Valve.
- Replaces many Haldex OEM numbers.
- Used to apply and release service brakes on tractor or trailer.
- Cover may be rotated without affecting warranty or performance.

Specifications:

Approximate Weight 3 lbs.

Notes:

- 1) Brackets available separately.
- 2) Includes bushings and plugs to match OEM production valves.
- 3) Repair Kit use part number **RN10HK**.

SKU#	Product Description	Supply (2)	Delivery (2)	Control (1)	Crack Pressure	Notes	OEM Part Number	Core Group
KN28131	Relay Valve – Two Port – Single Control Line	1/2"	1/2"	1/4"	4.6 PSI	Includes K202000 Bracket.	N30106F	-
KN28131X	Remanufactured Relay Valve – Two Port – Single Control Line	1/2"	1/2"	1/4"	4.0± 1 PSI	Bracket not included use K202000. Replacement for KN28130X.	N30106F	225
KN28140	Relay Valve – Two Port – Single Control Line	1/2"	1/2"	1/4"	4.6 PSI	Includes K202000 Bracket.	N30100AG	-
KN28140X	Remanufactured Relay Valve – Two Port – Single Control Line	1/2"	1/2"	1/4"	4.0± 1 PSI	Bracket not included.	N30100AG	225

Haldex (New and Remanufactured)

2 Port with Integral Bracket



Features:

- 2 Port Delivery
- Used to apply and release service brakes on tractor or trailer.
- Cover may be rotated without affecting performance or warranty.

Specifications:

Mounting 5/16" on 1-1/2" centers
Approximate Weight 3 lbs.

SKU#	Product Description	Supply (2)	Delivery (2)	Control (1)	Crack Pressure	Repair Kit	OEM Part Number	Core Group
KN28060	Relay Valve – Two Port – Single Control Line with Integral Bracket	1/2"	3/8"	3/8"	4.6 PSI	RN10HK	N30096F	-
KN28060RX	Remanufactured Relay Valve with Two Delivery Ports – CoreFree™	1/2"	3/8"	3/8"	4.6 ± 1.5 PSI	RN10HK	N30096F	-
KN28060X	Remanufactured Relay Valve with Two Delivery Ports	1/2"	3/8"	3/8"	4.6 ± 1.5 PSI	RN10HK	N30096F	225
KN28061	Relay Valve – Two Port – Single Control Line with Integral Bracket	1/2"	1/2"	3/8"	4.6 PSI	RN10HK	N30096L	-
KN28061X	Remanufactured Relay Valve with Two Delivery Ports	1/2"	1/2"	3/8"	4.6 ± 1.5 PSI	RN10HK	N30096L	225
KN28132	Relay Valve – Two Port – Single Control Line with Integral Bracket	1/2"	1/2"	3/8"	7.0 PSI	RN10HB	N30106D	-
KN28132X	Remanufactured Relay Valve with Two Delivery Ports	1/2"	1/2"	3/8"	7.0 ± 1.5 PSI	RN10HB	N30106D	225

Haldex (New and Remanufactured)

2 Port with Anti-Compounding



Features:

- Multi-Application Valve
- Replaces many Haldex OEM numbers.
- Cover may be rotated without affecting warranty or performance.
- Built-in anti-compounding two-way check valve for spring brake control.
- KN28077 has Push-To-Connect (PTC) fittings for easy installation.

Specifications:

Approximate Weight 3 lbs.

Notes:

- 1) Includes bushings and plugs to match OEM production valves.
- 2) Brackets available separately.
- 3) Repair Kit use part number **RN10HK**.

SKU#	Product Description	Supply (2)	Delivery (2)	Control (2)	Crack Pressure	Notes	OEM Part Number	Core Group
KN28043	Relay Valve – Two Port with Anti-Compounding	1/2"	1/2"	3/8" and 1/4"	4.6 PSI	Bracket not included.	Various	-
KN28071	Relay Valve – Two Delivery Ports – with Anti-Compounding	1/2"	1/2"	1/4" and 1/8"	4.6 PSI	Includes K202000 Bracket.	N30100AD	-
KN28071RX	Remanufactured Relay Valve with Two Delivery Ports – CoreFree™	1/2"	1/2"	1/4" and 1/8"	4.0± 1 PSI	Bracket not included.	N30100AD	-
KN28071X	Remanufactured Relay Valve with Two Delivery Ports	1/2"	1/2"	1/4" and 1/8"	4.0± 1 PSI	Bracket not included.	N30100AD	225

Haldex (New and Remanufactured)

2 Port with Anti-Compounding – Dual Crack Pressure



Features:

- Primary biased crack pressure.

Specifications:

Approximate Weight 3 lbs.

Notes:

- 1) Replacing with single crack pressure valve not recommended.
- 2) Supplied with K202000 Bracket.
- 3) Repair Kit use part number **RN10JZ**.

SKU#	Product Description	Supply (2)	Delivery (2)	Control (2)	Primary Crack Pressure	Secondary Crack Pressure	OEM Part Number
KN28054	Relay Valve – Two Port – with Anti-Compounding – Dual Crack Pressure	1/2"	1/2"	1/4"	4.6 PSI	9.6 PSI	N30111E

Haldex (New and Remanufactured)

2 Port without Anti-Compounding – Dual Control



Features:

- 2 Port Delivery
- Dual control ports.
- Cover may be rotated without affecting performance or warranty.
- Used to apply and release service brakes on tractor or trailer.

Specifications:

Approximate Weight 3 lbs.

Notes:

- 1) Repair Kit use part number **RN10HK**.

SKU#	Product Description	Supply (2)	Delivery (2)	Control (2)	Crack Pressure	Notes	OEM Part Number	Core Group
KN28065	Relay Valve – Two Port – without Anti-Compounding – Dual Control	1/2"	1/2"	1/4"	4.6 PSI	Supplied with K202000 Bracket	N30100AR	-
KN28065X	Remanufactured Relay Valve – Two Port – without Anti-Compounding – Dual Control	1/2"	1/2"	1/4"	4.6± 1 PSI	Bracket not included use K202000.	N30100AR	225

Haldex (New and Remanufactured)

2 Port – Fast Air and Balancing (FAB)



Features:

- Speedup or fast air relay.
- Used on converter dollies, long wheel base and towing trailers to accelerate control signal and meet FMVSS121 pressure differential requirements.
- Cover may be rotated without affecting performance or warranty.
- Replaces Bendix R8P or R12P.

Specifications:

Two Mounting Holes .34" diameter on 1.50" centers
Approximate Weight 2.5 lbs.

Notes:

- 1) Repair Kit use part number **RN10HT**.

SKU#	Product Description	Supply (2)	Delivery (2)	Control (1)	Crack Pressure/Differential	OEM Part Number	Core Group
KN28300	FAB Relay Valve – Fast Air Dolly – Two Delivery Ports	1/2"	1/2"	3/8"	0 PSI	N30096PA	-
KN28300X	Remanufactured Fast Air and Balancing (FAB) Relay Valve	1/2"	1/2"	3/8"	0 PSI	N30096PA	225

Haldex (New and Remanufactured)

4 Port



Features:

- Multi-application valve.
- Replaces many Haldex OEM numbers.
- Cover may be rotated without affecting performance or warranty.

Specifications:

Approximate Weight 3 lbs.

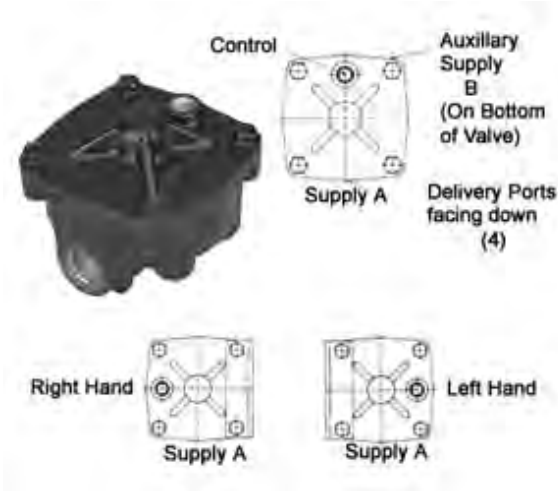
Notes:

- 1) Brackets available separately.
- 2) Includes bushings and plugs to match OEM production valves.
- 3) Repair Kit use part number **RN10HK**.

SKU#	Product Description	Supply (2)	Delivery (4)	Control (1)	Crack Pressure	Notes	OEM Part Number
KN28042	Relay Valve - Four Port - Single Control Line	1/2"	1/2"	1/4"	4.6 PSI	Bracket not included.	Various

Haldex (New and Remanufactured)

4 Port – Vertical Ports



Features:

- Four delivery ports facing down.
- Low differential – high capacity.
- Meets or exceeds FMVSS-121 requirements.
- Used to apply and release service brakes on tractor or trailer.
- Cover may be rotated without affecting warranty or performance.

Specifications:

Mounting Holes 3/8" diameter on 2-1/2" centers
Approximate Weight 3 lbs.

Notes:

- 1) The auxiliary supply port "B" on A103600 may be used for air suspensions or other accessories requiring reservoir air.
- 2) Repair Kit use part number **RN10HP**.

SKU#	Product Description	Supply (A)	Supply (B)	Delivery (4)	Control (1)	Crack Pressure	Notes	OEM Part Number	Core Group
A103600	Relay Valve – Four (Vertical) Port – Single Control	3/4"	Plugged	3/8"	1/4"	3.0 PSI	Mounting Bracket not included	AF103600	-
A103600X	Remanufactured RF Relay Valve with Four Delivery Ports	3/4"	Plugged	3/8"	1/4"	3.0± 1 PSI	Mounting Bracket not included	AF103600	225
A86472	Relay Valve with Four (Vertical) Ports – Single Control	3/4"	Not Drilled – No Threads	1/2"	1/4"	3.0 PSI	Right Hand Mounting Bracket included	AF86472	-
A86473	Relay Valve with Four (Vertical) Ports – Single Control	1/2"	Not Drilled – No Threads	1/2"	1/4"	3.0 PSI	Left Hand Mounting Bracket included	-	-
A86473X	Remanufactured RF Relay Valve with Four Delivery Ports	1/2"	Not Drilled – No Threads	1/2"	1/4"	3.0± 1 PSI	Mounting Bracket included	AF86473	225
A86477	Relay Valve with Four (Vertical) Ports – Single Control	3/4"	Plugged	1/2"	1/4"	3.0 PSI	Mounting Bracket not included	AF86477	-
A86477X	Remanufactured RF Relay Valve with Four Delivery Ports	3/4"	Plugged	1/2"	1/4"	3.0± 1 PSI	Mounting Bracket not included	AF86477	225

Haldex (New and Remanufactured)

4 Port with Integral Bracket



Features:

- Popular replacement for competitive valves.
- Used to apply and release service brakes on tractor or trailer.
- Cover may be rotated without effecting performance or warranty.

Specifications:

Mounting 5/16" on 1-1/2" centers.
Approximate Weight 3 lbs.

SKU#	Product Description	Supply (2)	Delivery (4)	Control (1)	Crack Pressure	Repair Kit	OEM Part Number	Core Group
KN28080	Relay Valve – Four Port – Single Control Line with Integral Bracket	1/2"	3/8"	3/8"	7.0 PSI	RN10HB	N30096N	-
KN28080RX	Remanufactured Relay Valve with Four Delivery Ports – CoreFree™	1/2"	3/8"	3/8"	7.0± 1 PSI	RN10HB	N30096N	-
KN28080X	Remanufactured Relay Valve with Four Delivery Ports	1/2"	3/8"	3/8"	7.0± 1 PSI	RN10HB	N30096N	225
KN28085	Relay Valve – Four Port – Single Control Line with Integral Bracket	1/2"	3/8"	3/8"	4.6 PSI	RN10HK	N30096P	-
KN28085X	Remanufactured Relay Valve with Four Delivery Ports	1/2"	3/8"	3/8"	4.6± 1.5 PSI	RN10HK	N30096P	225

Haldex (New and Remanufactured)

4 Port with Anti-Compounding



Features:

- Multi-application valve.
- Replaces many Haldex OEM numbers.
- Cover may be rotated without affecting performance or warranty.
- KN32080 has Push-To-Connect (PTC) fittings for easy installation.

Specifications:

Approximate Weight 3 lbs.

Notes:

- 1) Brackets available separately.
- 2) Includes bushings and plugs to match OEM production valves.
- 3) Repair Kit use part number **RN10HK**.

SKU#	Product Description	Supply (2)	Delivery (4)	Control (2)	Crack Pressure	Notes	OEM Part Number
KN28041	Relay Valve – Four Port with Anti-Compounding	1/2"	1/2"	1/4"	4.6 PSI	Bracket not included.	Various

Haldex (New and Remanufactured)

4 Port with Anti-Compounding – Dual Crack Pressure



Features:

- Primary biased crack pressure.
- Multi-application valve.

Specifications:

Approximate Weight 3 lbs.

Notes:

- 1) Brackets available separately.
- 2) Replacing with single crack pressure valve not recommended.
- 3) Repair Kit use part number **RN10JZ**.

SKU#	Product Description	Supply (2)	Delivery (4)	Control (2)	Primary Crack Pressure	Secondary Crack Pressure	Notes	OEM Part Number
KN28055	Relay Valve – Four Port with Anti-Compounding – Dual Crack Pressure	1/2"	1/2"	1/4"	4.6 PSI	9.6 PSI	Bracket not included.	Various

Haldex (New and Remanufactured)

Mounting Brackets for Relay Valves

For pictures on web see individual part numbers,
for printed catalog pictures see table of contents
maintenance section.

SKU#	Product Description	Used on OEM Valve Numbers
K202000	Mounting Bracket for Relay Valve	N30100AA, AB, AC, AD, AE, AF, AG, AH, AJ, AK, AL, AN, AP, AR, AS, D, E, KJ, LA, LB, LC and MA
K202001	Mounting Bracket for Relay Valve	N30100AA, AB, HC, HD, HE, HF, HG, HH, and HJ
K202002	Mounting Bracket for Relay Valve	N30106F
K202003	Mounting Bracket for Relay Valve	N30100JA, JB, KD, KG and N30111A or B
K202010	Mounting Bracket for Relay Valve	N30100JC, KE and N30111C
K202011	Mounting Bracket for Relay Valve	N30100KF
K202012	Mounting Bracket for Relay Valve	N30100KA, KB and KC
K202013	Mounting Bracket for Relay Valve	N30100JF
K202014	Mounting Bracket for Relay Valve	N30100JE, MB, MC, NA and N30111F
K202015	Mounting Bracket for Relay Valve	N30100PA

Competitive (Remanufactured)

Bendix® BP-1



Features:

- Reduces the braking effort on the rear axles.

Specifications:

Approximate Weight .9 lbs.

Notes:

- 1) Repair Kit not available.

SKU#	Product Description	Supply	Delivery	Control	Nominal Inshot PSI	Notes	Core Group
106284RX	Remanufactured Bendix® BP-1 Rear Air Brake Proportioning Relay Valve - CoreFree™	3/8"	3/8"	1/8"	8 PSI	Nominal Equalizing PSI 105.	-
106284X	Remanufactured Bendix® BP-1 Rear Air Brake Proportioning Relay Valve	3/8"	3/8"	1/8"	8 PSI	Nominal Equalizing PSI 105.	145LQ5

Competitive (Remanufactured)

Bendix® BP-R1



Features:

- Designed for use on tractor only.
- Functions as a standard relay valve and a proportioning valve.
- 4 port delivery.

Specifications:

Approximate Weight 2.6 lbs.

Notes:

- 1) Repair Kit not available.

SKU#	Product Description	Supply	Delivery	Control	Service	Crack Pressure	Core Group
65145RX	Reman. Bendix® BP-R1 Bobtail Brake Proportioning Relay Valve - CoreFree™	1/2"	2 @ 3/8" FPT Side 2 @ 3/8" FPT Bottom	1/8"	1/4"	4.0 PSI	-
65145X	Reman. Bendix® BP-R1 Bobtail Brake Proportioning Relay Valve	1/2"	2 @ 3/8" FPT Side 2 @ 3/8" FPT Bottom	1/8"	1/4"	4.0 PSI	BPR-1
65146RX	Reman. Bendix® BP-R1 Bobtail Brake Proportioning Relay Valve - CoreFree™	1/2"	2 @ 3/8" FPT Side 2 @ 3/8" FPT Bottom	1/8"	1/4"	5.5 PSI	-
65146X	Reman. Bendix® BP-R1 Bobtail Brake Proportioning Relay Valve	1/2"	2 @ 3/8" FPT Side 2 @ 3/8" FPT Bottom	1/8"	1/4"	5.5 PSI	BPR-1

Competitive (Remanufactured)

Bendix® R-6



Features:

- 4 port delivery.

Specifications:

Crack Pressure 2 PSI
 Approximate Weight 2.5 lbs.

Notes:

- 1) Repair Kit use part number 280856K.

SKU#	Product Description	Supply	Delivery (4)	Control	Notes	Core Group
279180RX	Reman. Bendix® R-6 Relay Valve - CoreFree™	3/8"	3/8"	1/4"	180° Service Port	-
279180X	Reman. Bendix® R-6 Relay Valve	3/8"	3/8"	1/4"	180° Service Port	121RLV
279952RX	Reman. Bendix® R-6 Relay Valve - CoreFree™	1 @ 3/4" 1 @ 3/8"	3/8"	1/4"	180° Service Port	-
279952X	Reman. Bendix® R-6 Relay Valve	1 @ 3/4" 1 @ 3/8"	3/8"	1/4"	180° Service Port	121RLV
280375RX	Reman. Bendix® R-6 Relay Valve - CoreFree™	1/2"	3/8"	1/4"	90° Service Port	-
280375X	Reman. Bendix® R-6 Relay Valve	1/2"	3/8"	1/4"	90° Service Port	121RLV
280651RX	Reman. Bendix® R-6 Relay Valve - CoreFree™	1 @ 3/4" 1 @ 3/8"	3/8"	1/4"	Includes pipe plugs and gasket 180° Service Port	-
280651X	Reman. Bendix® R-6 Relay Valve	1 @ 3/4" 1 @ 3/8"	3/8"	1/4"	Includes pipe plugs and gasket 180° Service Port	121RLV
283940RX	Reman. Bendix® R-6 Relay Valve - CoreFree™	3/8"	3/8"	1/4"	Ford application 270° Service Port	-
283940X	Reman. Bendix® R-6 Relay Valve	3/8"	3/8"	1/4"	Ford application 270° Service Port	121RLV

Competitive (Remanufactured)

Bendix® R-8



Features:

- 1/8" balance port located under the exhaust cover.
- Controls spring brakes and service brakes.
- 2 and 3 port delivery.

Specifications:

Crack Pressure 3 PSI
Approximate Weight 3.3 lbs.

Notes:

- 1) Repair Kit use part number **287370K**.

SKU#	Product Description	Supply	Delivery	Control	Port Rotation	Notes	Core Group
286370RX	Remanufactured Bendix® R-8 Relay Valve - CoreFree ^Å ™	2 @ 3/4" 1 @ 1/4"	2 @ 1/2"	1/4"	90°	-	-
286370X	Remanufactured Bendix® R-8 Relay Valve	2 @ 3/4" 1 @ 1/4"	2 @ 1/2"	1/4"	90°	-	121RLV
286371RX	Remanufactured Bendix® R-8 Relay Valve - CoreFree ^Å ™	2 @ 3/4"	2 @ 1/2" 1 @ 1/4"	1/4"	90°	No Exhaust Cover	-
286371X	Remanufactured Bendix® R-8 Relay Valve	2 @ 3/4"	2 @ 1/2" 1 @ 1/4"	1/4"	90°	No Exhaust Cover	121RLV
287224RX	Remanufactured Bendix® R-8 Relay Valve - CoreFree ^Å ™	1 @ 3/4"	2 @ 1/2" 1 @ 1/4"	1/4"	270°	-	-
287224X	Remanufactured Bendix® R-8 Relay Valve	1 @ 3/4"	2 @ 1/2" 1 @ 1/4"	1/4"	270°	-	121RLV
287260RX	Remanufactured Bendix® R-8 Relay Valve - CoreFree ^Å ™	2 @ 3/4" 1 @ 1/4"	2 @ 1/2"	1/4"	180°	No Exhaust Cover	-
287260X	Remanufactured Bendix® R-8 Relay Valve	2 @ 3/4" 1 @ 1/4"	2 @ 1/2"	1/4"	180°	No Exhaust Cover	121RLV

Competitive (Remanufactured)

Bendix® R-8P



Features:

- Designed for use on semitrailer converter dollies.
- 3 port delivery.

Specifications:

Crack Pressure 0 PSI
Approximate Weight 3 lbs.

Notes:

- 1) Repair Kit use part number **103799K**.

SKU#	Product Description	Supply (2)	Delivery (3)	Control (1)	Core Group
287114RX	Remanufactured Bendix® R-8P Pressure Equalizing Relay Valve – CoreFree™	3/4"	2 @ 1/2" 1 @ 1/4"	1/4"	-
287114X	Remanufactured Bendix® R-8P Pressure Equalizing Relay Valve	3/4"	2 @ 1/2" 1 @ 1/4"	1/4"	121RLV

Competitive (Remanufactured)

Bendix® R-12



Features:

- Vertical mount.
- 4 port delivery.

Specifications:

Approximate Weight 2 lbs.

Notes:

- 1) Repair Kit use part number **102802K**.

SKU#	Product Description	Supply	Delivery (4)	Control	Crack Pressure	Notes	Pic. #	Core Group
102165RX	Remanufactured Bendix® R-12 Relay Valve - CoreFree™	1/2"	3/8"	1/4"	4.0 PSI	-	1	-
102165X	Remanufactured Bendix® R-12 Relay Valve	1/2"	3/8"	1/4"	4.0 PSI	-	1	121RLV
102626RX	Remanufactured Bendix® R-12 Relay Valve - CoreFree™	1/2"	1/2"	1/4"	4.0 PSI	-	1	-
102626X	Remanufactured Bendix® R-12 Relay Valve	1/2"	1/2"	1/4"	4.0 PSI	-	1	121RLV
103912RX	Remanufactured Bendix® R-12 Relay Valve - CoreFree™	1/2"	1/2"	1/4"	7.5 PSI	-	1	-
103912X	Remanufactured Bendix® R-12 Relay Valve	1/2"	1/2"	1/4"	7.5 PSI	-	1	121RLV
65303RX	Remanufactured Bendix® R-12 Relay Valve - CoreFree™	1/2"	3/8" (2 vertical and 2 horizontal)	1/4"	4.0 PSI	Bendix 108281, International 1684489C91	2	-
65303X	Remanufactured Bendix® R-12 Relay Valve	1/2"	3/8" (2 vertical and 2 horizontal)	1/4"	4.0 PSI	Bendix 108281, International 1684489C91	2	121RLV

Competitive (Remanufactured)

Bendix® R-12H



Features:

- Horizontal mount.
- 2 port delivery located on the side of the valve.

Specifications:

Approximate Weight 2 lbs.

Notes:

- 1) Repair Kit use part number 102802K.

SKU#	Product Description	Supply (2)	Delivery (2)	Control (1)	Crack Pressure	Core Group
103009RX	Remanufactured Bendix® R-12H Relay Valve - CoreFree™	3/4"	1/2"	1/4"	4.0 PSI	-
103009X	Remanufactured Bendix® R-12H Relay Valve	3/4"	1/2"	1/4"	4.0 PSI	121RLV
65125RX	Remanufactured Bendix® R-12H Relay Valve - CoreFree™	1/2"	1/2"	1/4"	5.5 PSI	-
65125X	Remanufactured Bendix® R-12H Relay Valve	1/2"	1/2"	1/4"	5.5 PSI	121RLV

Competitive (Remanufactured)

Bendix® R-12P



Features:

- Pilot Relay Valve.
- 4 port delivery located on the side of the valve.

Specifications:

Approximate Weight 2 lbs.

Notes:

- 1) Repair Kit not available.

SKU#	Product Description	Supply (2)	Delivery (4)	Control (1)	Core Group
109264RX	Remanufactured Bendix® R-12P Pilot Relay Valve – CoreFree™	1/2"	3/8"	1/4"	-
109264X	Remanufactured Bendix® R-12P Pilot Relay Valve	1/2"	3/8"	1/4"	121RLV

Competitive (Remanufactured)

Bendix® R-14



Features:

- Vertical mount.
- 1/8" balance port located under the exhaust cover.
- Controls spring brakes and service brakes.
- 4 port delivery.

Specifications:

Approximate Weight 2.7 lbs.

Notes:

- 1) Repair Kit use part number 102802K.

SKU#	Product Description	Supply (1)	Delivery (4)	Control (1)	Crack Pressure	Pic. #	Core Group
103028RX	Remanufactured Bendix® R-14 Relay Valve - CoreFree™	1/2"	1/2"	1/4"	4.0 PSI	1	-
103028X	Remanufactured Bendix® R-14 Relay Valve	1/2"	1/2"	1/4"	4.0 PSI	1	121RLV
103833RX	Remanufactured Bendix® R-14 Relay Valve - CoreFree™	1/2"	1/2"	1/4"	7.5 PSI	1	-
103833X	Remanufactured Bendix® R-14 Relay Valve	1/2"	1/2"	1/4"	7.5 PSI	1	121RLV
65430X	Remanufactured Bendix® R-14 Relay Valve	1/2"	3/8" (2 vertical and 2 horizontal)	1/4"	4.0 PSI	2	121RLV

Competitive (Remanufactured)

Bendix® R-14H



Features:

- Horizontal mount.
- 1/8" balance port located under the exhaust cover.
- Controls spring brakes and service brakes.
- 2 port delivery.

Specifications:

Approximate Weight 2.6 lbs.

Notes:

- 1) Repair Kit use part number **102802K**.

SKU#	Product Description	Supply (2)	Delivery (2)	Control (1)	Crack Pressure	Core Group
103010RX	Remanufactured Bendix® R-14H Relay Valve - CoreFree™	3/4"	1/2"	1/4"	4.0 PSI	-
103010X	Remanufactured Bendix® R-14H Relay Valve	3/4"	1/2"	1/4"	4.0 PSI	121RLV
103294RX	Remanufactured Bendix® R-14H Relay Valve - CoreFree™	3/4"	1/2"	1/4"	5.5 PSI	-
103294X	Remanufactured Bendix® R-14H Relay Valve	3/4"	1/2"	1/4"	5.5 PSI	121RLV

Competitive (Remanufactured)

Sealco Ratio Relay



Features:

- Used on trailers only to apply and release service brakes.
- 4 port delivery.

Specifications:

Crack Pressure 4.5 PSI
Approximate Weight 3.9 lbs.

Notes:

- 1) Repair Kit not available.

SKU#	Product Description	Supply (1)	Delivery (4)	Control (1)	Reservoir (1)	Core Group
110139X	Remanufactured Sealco Ratio Relay Valve	3/8"	3/8"	3/8"	3/4"	210

Competitive (Remanufactured)

Sealco Relay



Features:

- Used to apply and release service brakes on trailers.
- 2 and 4 port delivery.

Specifications:

Mounting Nipple Mount

Notes:

- 1) Repair Kit not available.

SKU#	Product Description	Reservoir	Delivery	Control	Crack Pressure	Approximate Weight	Notes	Core Group
110207x	Remanufactured Sealco Relay Valve	(2) 1/2"	3/8" (1) 1/2"1/2(1)	(2) 3/8"	5.5	3 lb	-	210
110360X	Reman. Sealco Relay Valve	1/2"	2 @ 3/8"	3/8"	1.5 PSI	1.7 lbs.	Low opening valve.	210
110380X	Reman. Sealco Relay Valve	3/4"	4 @ 3/8"	3/8"	1.5 PSI	2.8 lbs.	Low opening valve.	210
110410X	Reman. Sealco Relay Valve	1/2"	2 @ 3/8"	3/8"	4.0 PSI	1.7 lbs.	-	210
110415X	Reman. Sealco Relay Valve	3/4"	4 @ 3/8"	3/8"	4.0 PSI	2.1 lbs.	-	210

Competitive (Remanufactured)

Sealco Control Line



Features:

- Used on converter dollies to speed the tractor control signal to the rear trailer(s) service brakes.
- 2 port delivery.

Specifications:

Crack Pressure 0 PSI

Notes:

- 1) Repair Kit not available.

SKU#	Product Description	Reservoir (1)	Delivery (2)	Control (1)	Approx. Weight	Note	Core Group
110370X	Remanufactured Sealco Control Line Relay Valve	1/2"	3/8"	3/8"	3.4 lbs.	Bracket not supplied.	210
110570X	Remanufactured Sealco Control Line Relay Valve	1/2"	3/8"	3/8"	2.9 lbs.	Bracket not supplied.	210

Competitive (Remanufactured)

Sealco Mini Relay



Features:

- Used to apply and release service brakes on tractor or trailer.
- 2 port delivery.

Specifications:

Crack Pressure 2.5 PSI
Approximate Weight 2.7 lbs.

Notes:

- 1) Repair Kit not available.

SKU#	Product Description	Reservoir (1)	Delivery (2)	Control (2)	Core Group
3100X	Remanufactured Sealco Mini Relay Valve	3/8"	1/4"	1/4"	210

Competitive (Remanufactured)

Sealco Trailer Relay



Features:

- Used to apply and release service brakes on tractor or trailer.
- 2 port delivery.

Specifications:

Crack Pressure 4.0 PSI
Approximate Weight 3.4 lbs.

Notes:

- 1) Repair Kit not available.

SKU#	Product Description	Reservoir (1)	Delivery (2)	Control (2)	Core Group
110197RX	Remanufactured Sealco Trailer Relay Valve - CoreFree™	1/2"	3/8"	3/8"	-
110197X	Remanufactured Sealco Trailer Relay Valve	1/2"	3/8"	3/8"	210

Competitive (Remanufactured)

Sealco 3 Port Delivery



Features:

- Used to apply and release service brakes on tractor or trailer.
- 3 port delivery.

Specifications:

Crack Pressure 2.5 PSI
Approximate Weight 3.5 lbs.

Notes:

- 1) Repair Kit not available.

SKU#	Product Description	Reservoir (2)	Delivery (3)	Control (2)	Core Group
9125X	Remanufactured Sealco Three-Port Delivery Relay Valve	1/2"	2 @ 3/8" 1 @ 1/2"	1/4"	210

Haldex (New/Remanufactured)

Trailer Brake Control – In-Column Mount



Features:

- Made of durable (EGC) Engineering Grade Composite.
- Handle applies 50° maximum.
- Available with Push-To-Connect (PTC) fittings for nylon tubing.

Specifications:

Approximate Weight .70 lbs.

Notes:

- 1) Handle and knob **NOT** supplied with service unit.
- 2) Retro-Fit Bracket use part number **102008GM**.

SKU#	Product Description	Type	Supply	Delivery	Control	Handle	OEM Part Number
KN20541	In-Column Mount Trailer Brake Control	Holding	1/4"	1/4"	1/4"	KN20543	N30103BB
KN20542	In-Column Mount Trailer Brake Control	Self-Releasing	1/4"	1/4"	1/4"	KN20543	N30103BL
KN20547	In-Column Mount Trailer Brake Control	Self-Releasing	3/8" PTC	3/8" PTC	1/4" PTC	KQ205450	N30103FK

Haldex (New/Remanufactured)

Trailer Brake Control – Steering Column Mount



Features:

- External steering column mount.
- Handle applies 70° maximum.
- Chrome handle.

Specifications:

Approximate Weight 2.8 lbs.

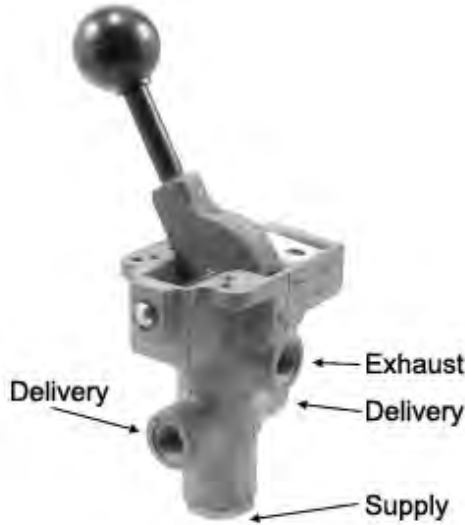
Notes:

- 1) Includes Chrome Handle, Bracket and Mounting Bolts.
- 2) Repair Kit use part number **RN10GJ**.

SKU#	Product Description	Supply	Delivery	Exhaust	Type	OEM Part Number	Core Group
KN20561	Hand Operated Trailer Brake Control Valve	1/4" NPT	1/4" NPT	1/4" NPT	Holding	N30161AH	-
KN20562	Hand Operated Trailer Brake Control Valve	1/4" NPT	1/4" NPT	1/4" NPT	Self-Return	N30161AJ	-

Haldex (New/Remanufactured)

Trailer Brake Control – Panel Mount



KN20580 Shown

Features:

- Limited delivery.

Specifications:

Approximate Weight .88 lbs.

Notes:

- 1) Contact original equipment manufacturer for knob replacement not covered below.
KN20580 use part number **N15285M**
KN20590 use part number **N15285M**
- 2) Lever for KN20581 use part number **102462D**.

SKU#	Product Description	Maximum Delivery	All Ports	Notes	OEM Part Number
KN20580	Panel Mount Trailer Brake Control Valve	80 PSI	1/4"	2" lever and knob included 3/8" – 24 thread	N30105B
KN20581	Panel Mount Trailer Brake Control Valve	System Pressure	1/4"	5" lever included knob not included	N30105D
KN20590	Panel Mount Trailer Brake Control Valves	50 PSI	1/4"	2" lever and knob included 3/8" – 24 thread	N30105C

Haldex (New/Remanufactured)

Flipper Style – Panel Mount



Features:

- Panel or remote mount.
- Made of durable (EGC) Engineering Grade Composite.
- An on-off, non-automatic two position valve.

Specifications:

Approximate Weight .18 lbs.

Notes:

- 1) Faceplates listed later in this section.

SKU#	Product Description	Release Position	Handle Finish	All Ports	Mounting Holes	OEM Part Number
KN20001	Panel Mount Flipper Style Valve	A – see picture	Chrome	1/8"	#10-24 with 1.50" centers	N13440DL
KN20002	Panel Mount Flipper Style Valve	A – see picture	Chrome	1/8"	M5 Metric with 1.50" centers	N13440DN

Haldex (New/Remanufactured)

Flipper Style – with Locking Handle



Features:

- Panel mount.
- Locking type.
- Made of durable (EGC) Engineering Grade Composite.

Specifications:

Approximate Weight .6 lbs.

Notes:

- 1) Includes locking handle.
- 2) Replaces Williams WM78/Series.

SKU#	Product Description	Delivery A	Delivery B	Supply C	Application	OEM Part Number
KN20700	Panel Mount Flipper Style Valve with Locking Handle	1/8"	Plugged	1/8"	For controlling fifth wheel operation.	N13440FB

Haldex (New/Remanufactured)

Double Flipper Style



Features:

- Panel mount.
- Directional air control valve.

Specifications:

Approximate Weight 1 lb.

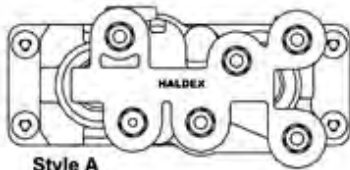
Notes:

- 1) All units supplied with handle.
- 2) May be used for control of push-pull air cylinders or various other air operated devices.
- 3) **N14515BT** (Holland Hitch Dolly Master) name plate for N15791V.

SKU#	Product Description	Apply/Release Position	Supply Ports	Delivery Ports	Handle	Repair Kit	OEM Part Number
KN20080	Double Flipper Style	3 position with Manual Release ONLY	2 @ 1/4" NPT	2 @ 1/8" NPT	K200800	RN34H	N15791D
KN20090	Double Flipper Style Valve	3 position with Automatic Release when Supply 'A' is applied.	2 @ 1/4" NPT	2 @ 1/8" NPT	K200900	RN34H	N15791F
KN20110	Double Flipper Style Valve	2 position with Manual Release ONLY	2 @ 1/4" NPT	2 @ 1/8" NPT	K201100	RN34F	N15791J
N15791H	Double Flipper Style Valve	3 position with Automatic Release when Supply 'A' is applied	1 plugged 1 @ 1/4" NPT	2 @ 1/8" NPT	K200900	RN34H	N15791H
N15791T	Double Flipper Style Valve	2 position with Manual Release ONLY	2 @ 1/8" NPT	2 @ 1/8" NPT	K201100	RN34H	N15791T
N15791V	Double Flipper Style Valve	3 position with Automatic Release when Supply 'A' is applied	1 plugged 1 @ 1/4" NPT	2 @ 1/8" NPT	K200900	RN34H	N15791V

Haldex (New/Remanufactured)

Manifold Dash Style A



Style A
(Typical)

Features:

- Engineering Grade Composite (EGC) – One Piece Housing.
- Ports have molded identification.
- Replaces competitive units.
- Completely serviceable.

Specifications:

Tractor Valve 20 – 35 PSI
Trailer Valve 20 – 45 PSI
Non-Override 25 ± 5 PSI
Spools 2

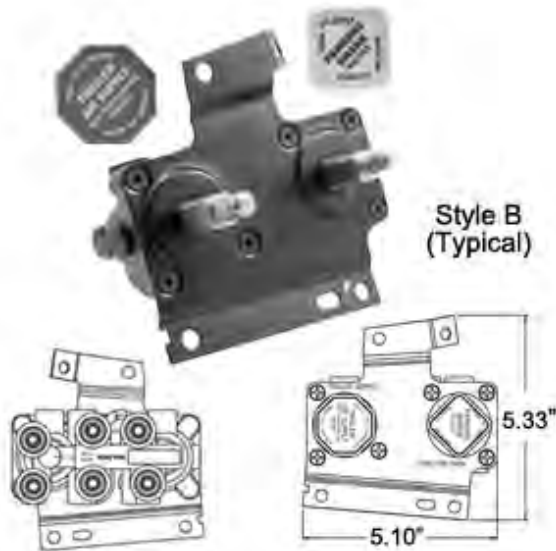
Notes:

- 1) Mounting configurations listed later in this section.
- 2) See Accessories for related parts and repair kits.

SKU#	Product Description	Mount. (4)	Trlr. Del.	Res. (2)	Exh.	Trac. Del.	Aux. Sup.	OEM Part Number
KN20601	Manifold Dash Valve	Horizontal – M6 Metric nuts on cover	1/4"	1/4"	1/4"	1/4"	1/4"	N4400EA – N4400C
KN20602	Manifold Dash Valve	Horizontal – 1/4"-20 nuts on cover	1/4"	1/4"	1/4"	1/4"	1/4"	N4400EB – N4400E
KN20603	Manifold Dash Valve	Horizontal – M6 Metric well nuts in body	1/4"	1/4"	1/4"	1/4"	1/4"	N4400EC – N4400G
KN20605	Manifold Dash Valve	Vertical – M6 Metric nuts on cover	1/4"	1/4"	1/4"	1/4"	1/4"	N4400ED – N4400J
KN20606	Manifold Dash Valve	Horizontal – 1/4"-20 nuts on cover	1/4"	1/4"	1/4"	1/4"	1/4"	N4400EE – N4400M
KN20607	Manifold Dash Valve	Vertical – M6 Metric nuts on cover	3/8" PTC	3/8" PTC	3/8" PTC	3/8" PTC	3/8" PTC	N4400EF – N4400S
KN20611	Manifold Dash Valve	Horizontal – 1/4"-20 well nuts in body	1/4"	1/4"	1/4"	1/4"	1/4"	N4400EH – N4400B
KN20612	Manifold Dash Valve	Horizontal – 10-24 well nuts in body	1/4"	1/4"	1/4"	1/4"	1/4"	N4400EJ – N4400A
KN20615	Manifold Dash Valve	Horizontal – 1/4" hole in body	1/4"	1/4"	1/4"	1/4"	1/4"	N4400EK – N4400
KN20616	Manifold Dash Valve	Vertical – 1/4"-20 well nuts in body	1/4"	1/4"	1/4"	1/4"	1/4"	N4400D
KN20632	Manifold Dash Valve	Horizontal – M6 Metric nuts on cover	3/8" PTC	3/8" PTC	3/8" PTC	3/8" PTC	-	N4400FB
KN20636	Manifold Dash Valve	Horizontal – M6 Metric nuts on cover	3/8" PTC	3/8" PTC	3/8" PTC	3/8" PTC	3/8" PTC	N4400FE

Haldex (New/Remanufactured)

Manifold Dash Style B



KN20619 Shown

Features:

- Engineering Grade Composite (EGC) – One Piece Housing.
- Ports have molded identification.
- Replaces competitive units.
- Completely serviceable.

Specifications:

Tractor Valve 20 – 35 PSI
Trailer Valve 20 – 45 PSI
Non-Override 25 $\hat{\pm}$ 5 PSI

Notes:

- 1) Mounting configurations listed later in this section.
- 2) See Accessories for related parts and repair kits.

SKU#	Product Description	Spools	Mount. (4)	Trlr. Del.	Res. (2)	Exh.	Trac. Del.	Aux. Sup.	Notes	OEM Part Number
KN20619	Manifold Dash Valve	2	Vertical – 1/4" hole in cover	3/8" PTC	3/8" PTC	3/8" PTC	3/8" PTC	3/8" PTC	-	N4400EL – N4400BA
KN20621	Manifold Dash Valve	2	Horizontal – 1/4" hole in cover	3/8" 45 PTC	3/8" 45 PTC	3/8" 45 PTC	3/8" 45 PTC	-	-	N4400EN – N4400BB
KN20622	Manifold Dash Valve	2	Vertical – 3/16" hole in cover	3/8" 90 PTC	3/8" 45 PTC	3/8" 90 PTC	3/8" 45 PTC	-	Yellow knob (tractor spool) located in bottom position	N4400EP – N4400BC
KN20623	Manifold Dash Valve	1	Vertical – 1/4" hole in cover	-	3/8" PTC	3/8" PTC	3/8" PTC	-	Yellow knob (tractor spool) located in bottom position	N4400ER – N4400DA
KN20629	Manifold Dash Valve	1	Vertical – 3/16" hole in cover	-	3/8" 45 PTC	3/8" 90 PTC	3/8" 45 PTC	-	Yellow knob (tractor spool) located in bottom position – tractor supply port below exhaust	N4400EZ – N4400DD

Haldex (New/Remanufactured)

Push-Pull Parking Brake



Features:

- Controls parking/emergency brakes.
- Bulkhead mount, requires 7/8" mounting hole.
- Made of durable (EGC) Engineering Grade Composite.
- A better replacement for the PP-1
- Knob, pin and mounting nut shipped with valve un-assembled.

Specifications:

Approximate Weight .4 lbs.

SKU#	Product Description	Pop Pressure	Knob Included	All Ports	Notes	OEM Part Number
KN20021	Push-Pull Parking/Emergency Brake Valve	35± 10 PSI	KN20903	1/8" NPT	System Brake	N20960
KN20022	Push-Pull Parking/Emergency Brake Valve	35± 10 PSI	KN20901	1/8" NPT	Parking Brake	N20960A
KN20023	Push-Pull Parking/Emergency Brake Valve	17.5± 12.5 PSI	KN20903	1/8" NPT	System Brake	N20960B

Haldex (New/Remanufactured)

Push-Pull Trailer Air Supply



Features:

- Controls tractor protection.
- Bulkhead mount, requires 7/8" mounting hole.
- Made of durable (EGC) Engineering Grade Composite.
- A better replacement for the PP-7

Specifications:

Approximate Weight .7 lbs.

Notes:

- 1) **KN20900** Knob included.

SKU#	Product Description	Pop Pressure	Non-Override Pressure	Exhaust and Delivery	Supply and Control	Notes	OEM Part Number
KN20025	Push-Pull Trailer Air Supply Valve	35Å± 10 PSI	25Å± 5 PSI	1/4" NPT	1/8" NPT	Trailer Supply	N20961

Haldex (New/Remanufactured)

Push-Pull Tractor Parking



Features:

- Controls TRACTOR ONLY parking.
- Bulkhead mount, requires 7/8 inch mounting hole.
- Made of durable (EGC) Engineering Grade Composite.
- A better replacement for the PP-8
- Will not stay in half-on/half-off position.

Specifications:

Approximate Weight .4 lbs.

SKU#	Product Description	Pop Pressure	Knob Included	All Ports	Notes	OEM Part Number
KN20035	Push-Pull Tractor Parking Valve	17.5Å± 12.5 PSI	KN20902	1/8" NPT	Tractor Parking	N20964

Haldex (New/Remanufactured)

Push-Pull Panel Mount



Features:

- Panel mount.
- Made of durable (EGC) Engineering Grade Composite.

Specifications:

Approximate Weight .26 lbs.

Notes:

- 1) Includes knob and lock nut.
- 2) Faceplates listed later in this section.

SKU#	Product Description	Pop Pressure	Knob Included	Face Plate Included	All Ports	OEM Part Number
KN20031	Push-Pull Panel Mount Valve	25-35 PSI	A25079	-	1/4"	N20928CK
KN20033	Push-Pull Panel Mount Valve	7-17 PSI	A25079	-	1/4"	N20928CH
N20928CL	Push-Pull Panel Mount Valve	25-35 PSI	12510	-	1/4"	N20928CL
N20928CM	Push-Pull Panel Mount Valve	25-35 PSI	N14514	K1451517	1/4"	N20928CM

Haldex (New/Remanufactured)

Push-Pull Bulkhead Mount



Features:

- Bulkhead mount.
- Made of aluminum.
- Two and three way types.
- Fits 5/8" dashboard holes.

Specifications:

Approximate Weight .5 lbs.

Notes:

- 1) **A25079** Knob included.
- 2) Faceplates listed later in this section.

SKU#	Product Description	Type	All Ports	Repair Kit	Face Plate Included	OEM Part Number
A83034	Push-Pull Bulkhead Mount Valve	2-Way	1/4"	RN10JA	None	AD83034
A83580	Push-Pull Bulkhead Mount Valve	3-Way	1/4"	RN10JB	N14515BN Push-To-Release	AD83580 with threaded exhaust ports
A87940	Push-Pull Bulkhead Mount Valve	3-Way	1/4"	RN10JB	N14515BR Pintle Hook	AD87940 with threaded exhaust ports

Haldex (New/Remanufactured)

Push-Pull Hostler Valve



KN20010 Shown

Features:

- Panel or bulkhead mount.
- Requires 3/4" hole in dashboard.

Specifications:

Approximate Weight .88 lbs.

Notes:

- 1) For in-cab applications.

SKU#	Product Description	Pop Pressure	Knob Included	Delivery Port	Exhaust Port	OEM Part Number
KN20010	Hand Operated Push-Pull Hostler Valve	25/40 PSI	N14514 Plain	1/4"	1/4"	N14488AE
KN20011	Hand Operated Push-Pull Hostler Valve	0 PSI	N14514 Plain	1/4"	1/4"	N14488R
KN20015	Hand Operated Push-Pull Hostler Valve	25/40 PSI	12510 Trailer Emergency	1/4"	1/4"	N14488AC

Haldex (New/Remanufactured)

Push Style



Features:

- Panel mount.
- Must be manually held in – "Dead Man" type.
- Made of Engineering Grade Composite (EGC).

Specifications:

Approximate Weight .5 lbs.

Notes:

- 1) Not for use on truck-tractor-trailer application.
- 2) **N14514** Plain Knob and **N14515AB** Push for Emergency Release Faceplate included.

SKU#	Product Description	All Ports	Application	Notes	OEM Part Number
KN20061	Hand Operated Push Style Valve for Construction Equipment	1/8"	Used on construction equipment	Must be manually held in – exhausts when released	N15760G

Competitive (Remanufactured)

Bendix® HPP-1 Push-Pull



Features:

- Push-Pull Type Valve

Specifications:

Approximate Weight .6 lbs.

SKU#	Product Description	All Ports	Automatic Release Pressure	Notes	Core Group
RH65077X	Remanufactured Bendix® HPP-1 Hydraulic Push-Pull Control Valve	1/8"	10 PSI	Hand operated used to control hydraulic parking and emergency brakes.	HYD2023

Competitive (Remanufactured)

Bendix® PP-1 Push-Pull



Features:

- Commonly used to control parking and emergency brakes.

Specifications:

Approximate Weight .7 lbs.

Notes:

- 1) Repair Kit use part number 281126K.

SKU#	Product Description	Sup.	Del.	Exh.	Automatic Release Pressure	Notes	Core Group
104240RX	Reman. Bendix® PP-1 Push-Pull - CoreFree™	1/8"	1/4"	1/8"	60 PSI	-	-
104240X	Reman. Bendix® PP-1 Push-Pull	1/8"	1/4"	1/8"	60 PSI	-	132PP1
276566RX	Reman. Bendix® PP-1 Push-Pull - CoreFree™	1/8"	1/8"	1/8"	20 PSI	-	-
276566X	Reman. Bendix® PP-1 Push-Pull	1/8"	1/8"	1/8"	20 PSI	-	132PP1
276567RX	Reman. Bendix® PP-1 Push-Pull - CoreFree™	1/8"	1/8"	1/8"	40 PSI	-	-
276567X	Reman. Bendix® PP-1 Push-Pull	1/8"	1/8"	1/8"	40 PSI	-	132PP1
276569RX	Reman. Bendix® PP-1 Push-Pull - CoreFree™	1/8"	1/8"	1/8"	30 PSI	-	-
276569X	Reman. Bendix® PP-1 Push-Pull	1/8"	1/8"	1/8"	30 PSI	-	132PP1
281587RX	Reman. Bendix® PP-1 Push-Pull - CoreFree™	1/8"	1/8"	1/8"	40 PSI	Remote Mount 1/4" Female Thread in Shaft	-
281587X	Reman. Bendix® PP-1 Push-Pull	1/8"	1/8"	1/8"	40 PSI	Remote Mount 1/4" Female Thread in Shaft	132PP1
282499RX	Reman. Bendix® PP-1 Push-Pull - CoreFree™	1/8"	1/4"	1/8"	40 PSI	Stem Height 1.62"	-
282499X	Reman. Bendix® PP-1 Push-Pull	1/8"	1/4"	1/8"	40 PSI	Stem Height 1.62"	132PP1
287417RX	Reman. Bendix® PP-1 Push-Pull - CoreFree™	1/8"	1/4"	1/8"	30 PSI	-	-
287417X	Reman. Bendix® PP-1 Push-Pull	1/8"	1/4"	1/8"	30 PSI	-	132PP1
287600RX	Reman. Bendix® PP-1 Push-Pull - CoreFree™	1/8"	1/4"	1/8"	40 PSI	Stem Height 1.12"	-
287600X	Reman. Bendix® PP-1 Push-Pull	1/8"	1/4"	1/8"	40 PSI	Stem Height 1.12"	132PP1
287637RX	Reman. Bendix® PP-1 Push-Pull - CoreFree™	1/8"	1/8"	1/8"	-	Manual Valve	-
287637X	Reman. Bendix® PP-1 Push-Pull	1/8"	1/8"	1/8"	-	Manual Valve	132PP1

Competitive (Remanufactured)

Bendix® PP-2 Push-Pull



Features:

- Push-Pull Type Valve.
- Use with parking and emergency brakes.
- Anti-compounding port which prevents simultaneous application of both the service and parking brakes.

Notes:

- 1) Repair Kit use part number **281127K**.

SKU#	Product Description	Supply (1)	Delivery (2)	Automatic Release Pressure	Notes	Core Group
276462RX	Reman. Bendix® PP-2 Push-Pull Hand Control Valve - CoreFree™	1/8"	1/8"	40 PSI	Replaces 276538	-
276462X	Remanufactured Bendix® PP-2 Push-Pull Hand Control Valve	1/8"	1/8"	40 PSI	Replaces 276538	132PP1
280454RX	Remanufactured Bendix® PP-2 Push-Pull Hand Control Valve - CoreFree™	1/8"	1/8"	40 PSI	Remote Mount	-
280454X	Remanufactured Bendix® PP-2 Push-Pull Hand Control Valve	1/8"	1/8"	40 PSI	Remote Mount	132PP1

Competitive (Remanufactured)

Bendix® PP-3 Push-Pull



Features:

- Push-Pull Type Valve.
- Primarily used with a two-line tractor protection valve.
- Tripper exhaust at 30 PSI and charges above 50 PSI.
- Plunger trips at 40 PSI and charges manually.

Specifications:

Approximate Weight 1.2 lbs.

Notes:

- 1) Repair Kit use part number **280857K**.

SKU#	Product Description	Supply (3)	Delivery (3)	Exhaust	Notes	Core Group
279787RX	Remanufactured Bendix® PP-3 Push-Pull Hand Control Valve - CoreFreeA™	1/8"	2 plugged 1 @ 1/4"	1/4"	Remote Mount 1/4"-20 Thread	-
279787X	Remanufactured Bendix® PP-3 Push-Pull Hand Control Valve	1/8"	2 plugged 1 @ 1/4"	1/4"	Remote Mount 1/4"-20 Thread	132PP1
288746RX	Remanufactured Bendix® PP-3 Push-Pull Hand Control Valve - CoreFreeA™	1/8"	2 plugged 1 @ 1/4"	1/4"	-	-
288746X	Remanufactured Bendix® PP-3 Push-Pull Hand Control Valve	1/8"	2 plugged 1 @ 1/4"	1/4"	-	132PP1
289477RX	Remanufactured Bendix® PP-3 Push-Pull Hand Control Valve - CoreFreeA™	1/8"	2 @ 1/8" 1 @ 1/4"	1/4"	-	-
289477X	Remanufactured Bendix® PP-3 Push-Pull Hand Control Valve	1/8"	2 @ 1/8" 1 @ 1/4"	1/4"	-	132PP1
289512RX	Remanufactured Bendix® PP-3 Push-Pull Hand Control Valve - CoreFreeA™	1/8"	2 @ 1/8" 1 @ 1/4"	1/4"	Remote Mount 1/4" Female Thread in Shaft	-
289512X	Remanufactured Bendix® PP-3 Push-Pull Hand Control Valve	1/8"	2 @ 1/8" 1 @ 1/4"	1/4"	Remote Mount 1/4" Female Thread in Shaft	132PP1

Competitive (Remanufactured)

Bendix® PP-5



Features:

- Manually operated.
- Can automatically be moved to exhaust position by applying a low signal from another control valve to the PP-5 Pilot Port.
- Used in conjunction with vehicle torque converter systems, engine speed control systems and some parking brake systems.

Specifications:

Release Pressure 40 PSI
 Approximate Weight .8 lbs.

Notes:

- 1) Knob not included.
- 2) Repair Kit not available.

SKU#	Product Description	Supply (1)	Delivery (2)	Exhaust (1)	Pilot Air Inlet	Notes	Core Group
281946RX	Remanufactured Bendix® PP-5 – CoreFree™	1/8"	1/8"	1/8"	1/8"	Push-Pull Control Valve	-
281946X	Remanufactured Bendix® PP-5	1/8"	1/8"	1/8"	1/8"	Push-Pull Control Valve	132PP1

Competitive (Remanufactured)

Bendix® PP-7 Trailer Supply



Features:

- Steering column mount.
- Generally used on tractors and provides modulated control on trailer brakes only.

Specifications:

Automatic, All Release Pressure 40 PSI
 Approximate Weight 1.2 lbs.

Notes:

- 1) Repair Kit use part number 287367K.

SKU#	Product Description	Sup.	Del.	Cont.	Exh.	Stem Dia.	Notes	Core Group
288239RX	Reman. Bendix® PP-7 Trailer Supply – CoreFreeA™	1/8"	1/4"	1/8"	-	3/8"	-	-
288239X	Reman. Bendix® PP-7 Trailer Supply	1/8"	1/4"	1/8"	-	3/8"	-	132PP1
288240RX	Reman. Bendix® PP-7 Trailer Supply – CoreFreeA™	1/8"	1/4"	1/8"	-	1/2"	Remote Mount 1/4" Female Thread in Shaft	-
288240X	Reman. Bendix® PP-7 Trailer Supply	1/8"	1/4"	1/8"	-	1/2"	Remote Mount 1/4" Female Thread in Shaft	132PP1
288241RX	Reman. Bendix® PP-7 Trailer Supply – CoreFreeA™	1/8"	1/4"	1/8"	1/4"-18 NPT	5/16"	-	-
288241X	Reman. Bendix® PP-7 Trailer Supply	1/8"	1/4"	1/8"	1/4"-18 NPT	5/16"	-	132PP1
288242RX	Reman. Bendix® PP-7 Trailer Supply – CoreFreeA™	1/8"	1/4"	1/8"	-	1/2"	Remote Mount 1/4" Female Thread in Shaft	-
288242X	Reman. Bendix® PP-7 Trailer Supply	1/8"	1/4"	1/8"	-	1/2"	Remote Mount 1/4" Female Thread in Shaft	132PP1
288721RX	Reman. Bendix® PP-7 Trailer Supply – CoreFreeA™	1/8"	1/4"	1/8"	1/4"-18 NPT	3/8"	-	-
288721X	Reman. Bendix® PP-7 Trailer Supply	1/8"	1/4"	1/8"	1/4"-18 NPT	3/8"	-	132PP1

Competitive (Remanufactured)

Bendix® PP-8



Features:

- Manually operated.
- Generally used on tractor parking brakes.
- Meets FMVSS-121 requirements.

Specifications:

Approximate Weight .8 lbs.

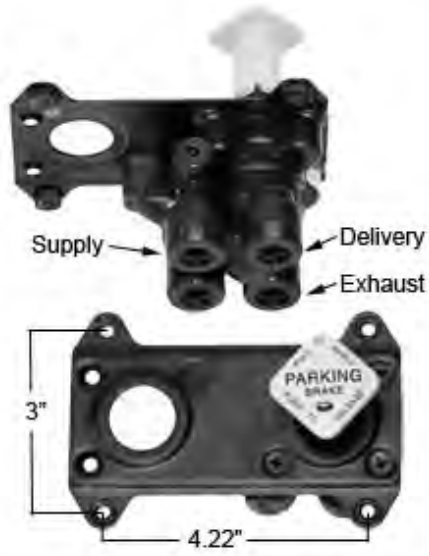
Notes:

- 1) Supplied without knob or mounting hardware.
- 2) Repair Kit not available.

SKU#	Product Description	Supply (1)	Delivery (2)	Exhaust (1)	Notes	Picture	Core Group
287238RX	Remanufactured Bendix® PP-8 - CoreFree™	1/8"	1/8"	1/8"	Push-Pull Control Valve	1	-
287238X	Remanufactured Bendix® PP-8	1/8"	1/8"	1/8"	Push-Pull Control Valve	1	132PP1
287418RX	Remanufactured Bendix® PP-8 - CoreFree™	1/8"	1/4"	1/8"	Push-Pull Control Valve	2	-
287418X	Remanufactured Bendix® PP-8	1/8"	1/4"	1/8"	Push-Pull Control Valve	2	132PP1

Competitive (Remanufactured)

Bendix® PP-DC



SKU#	Product Description	Ports	Mounting Hole Diameter	Mounting Hole Distance	Core Group
800034X	Remanufactured Bendix® PP-DC Hand Control Valve	1/4" - 18 NPT	.27"	4.22" width x 3" height	165PPDC

Competitive (Remanufactured)

Bendix® MV-2 (Manifold)



Features:

- Non-metallic assembly.
- Control Panel Mounting in truck or tractor.
- Two push-pull valves and a dual circuit supply valve.

Specifications:

Valve Approx. Weight 2.7 lbs.
Spool Assm. Approx. Weight .5 lbs.

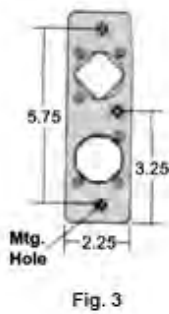
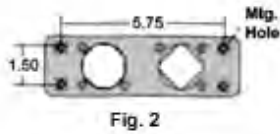
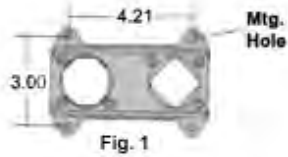
Notes:

1) Knobs not included.

SKU#	Product Description	Reservoirs	Delivery Tractor	Delivery Trailer	Auxiliary Supply	Exhaust	Pic. #	Core Group
101569RX	Remanufactured Bendix® Control Valve MV-2 Spool Assembly – CoreFree™	-	-	-	-	-	3	-
101569X	Remanufactured Bendix® Control Valve MV-2 Spool Assembly	-	-	-	-	-	3	163MV2
101570RX	Remanufactured Bendix® Control Valve MV-2 Spool Assembly – CoreFree™	-	-	-	-	-	2	-
101570X	Remanufactured Bendix® Control Valve MV-2 Spool Assembly	-	-	-	-	-	2	163MV2
K095875RX	K095875RX Hand Control Valve	2	1/4"	1/4"	1/4"	1/4"	1	

Competitive (Remanufactured)

Bendix® MV-3 (Manifold)



Features:

- Non-metallic assembly.
- Control Panel Mounting in truck or tractor.
- Two push-pull valves and a dual circuit supply valve.

Notes:

- 1) Knobs not included.
- 2) Maintenance Kit use part number **107216K**.
- 3) MV-3 Shuttle Kit use part number **107217K**.

SKU#	Product Description	Reservoirs (2)	Delivery Tractor	Delivery Trailer	Exhaust	Mounting Hole Threads	Approx. Weight	Config.
800516RX	Remanufactured Bendix® MV-3 Manifold	1/4"	1/4"	1/4"	1/4"	.27" Unthreaded	1.9 lbs.	Fig. 1
800517RX		1/4"	1/4"	1/4"	1/4"	M6x1-6H (Metric)	1.9 lbs.	Fig. 2
800521RX	Remanufactured Bendix® MV-3 Manifold	1/4"	1/4"	1/4"	1/4"	1/4"-20	1.6 lbs.	Fig. 3
800573RX	800573RX Hand Control Valve	1/4"	1/4"	1/4"	1/4"	1/4" - 20	1.9 lbs.	Fig. 1

Competitive (Remanufactured)

Bendix® TC-2 Trailer



Features:

- Steering column mount.
- Generally used on tractors and provides modulated control on trailer brakes only.

Specifications:

Approximate Weight 2.4 lbs.

Notes:

1) Repair Kit not available.

SKU#	Product Description	Supply	Delivery	Exhaust	Notes	Picture	Core Group
276270X	Remanufactured Bendix® TC-2 Trailer Hand Control Valve	1/4"	1/4"	1/4"	Long Maximum Delivery 80 PSI	1	107TC2
276272RX	Remanufactured Bendix® TC-2 Trailer Hand Control Valve - CoreFree™	1/4"	1/4"	1/4"	Short Maximum Delivery 80 PSI	2	-
276272X	Remanufactured Bendix® TC-2 Trailer Hand Control Valve	1/4"	1/4"	1/4"	Short Maximum Delivery 80 PSI	2	107TC2

Competitive (Remanufactured)

Bendix® TW-1



Features:

- Lever type.
- Manually operated valve.

Specifications:

Approximate Weight .6 lbs.

Notes:

- 1) Two position controls.
- 2) Repair Kit use part number **101805K**.

SKU#	Product Description	Supply	Delivery (2)	Core Group
229635RX	Remanufactured Bendix® TW-1 Control Valve – CoreFree™	1/8"	1/8"	-
229635X	Remanufactured Bendix® TW-1 Control Valve	1/8"	1/8"	138TW1

Competitive (Remanufactured)

Bendix® TW-3



Features:

- Lever type.
- Used in conjunction with parking and emergency brake systems.

Specifications:

Approximate Weight .6 lbs.

Notes:

- 1) Two position controls.
- 2) Repair Kit not available.

SKU#	Product Description	Supply (1)	Delivery (2)	Core Group
283040RX	Remanufactured Bendix® TW-3 Emergency Control Valve – CoreFree™	1/4"	1/4"	-
283040X	Remanufactured Bendix® TW-3 Emergency Control Valve	1/4"	1/4"	138TW1
283935RX	Remanufactured Bendix® TW-3 Emergency Control Valve – CoreFree™	1/4"	1/4"	-
283935X	Remanufactured Bendix® TW-3 Emergency Control Valve	1/4"	1/4"	138TW1

Competitive (Remanufactured)

Bendix® Hydraulic Brake Valve



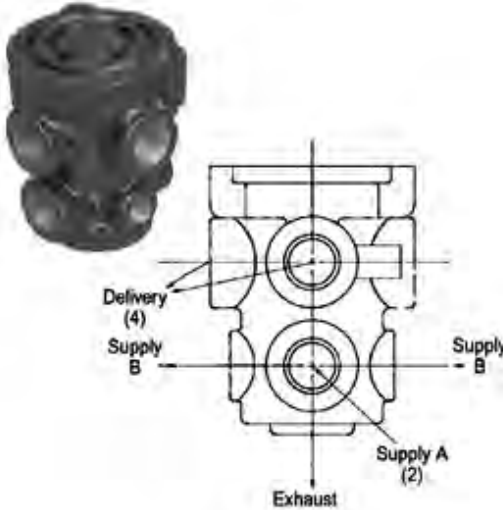
Specifications:

Approximate Weight 2.4 lbs.

SKU#	Product Description	Notes	Core Group
RH65060X	Remanufactured Bendix® HR-1 Hydraulic Brake Valve	Directs hydraulic pump pressure to and from parking brakes.	HYD2022

Haldex (New/Remanufactured)

Single Circuit



Features:

- Directly replaces competitive brands.
- All supply and delivery ports are common.
- Provides smooth and consistent pedal feel.
- Used primarily with pre FMVSS-121 vehicles – prior to 1975.

Specifications:

Approximate Weight 1.5 lbs.

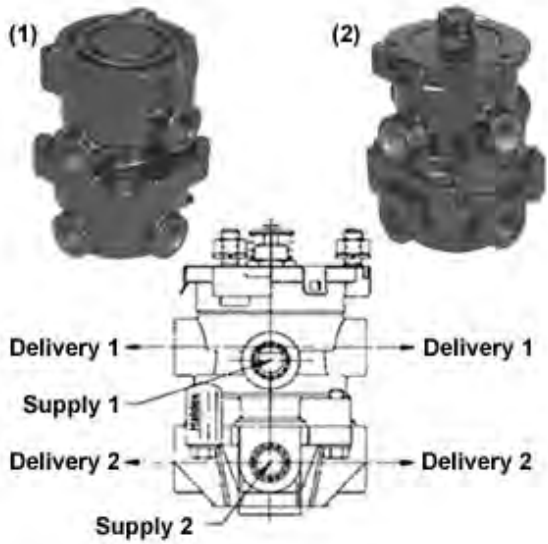
Notes:

- 1) Repair Kit use part number **RN10BX**.

SKU#	Product Description	Supply A (2)	Supply B (2)	Delivery (4)	Notes	OEM Part Number	Core Group
KN22100	Single Circuit Foot Operated Service Brake Control	1/2"	1/4"	1/2"	Standard Tractor Foot Valve Prior to 1975	N20837	-
KN22100X	Remanufactured Single Circuit Foot Operated Service Brake Control	1/2"	1/4"	1/2"	Studs Not Included	N20837	304

Haldex (New/Remanufactured)

Dual Circuit



Features:

- Directly replaces competitive brands.
- Provides smooth and consistent pedal feel.
- Two separated, individual service brake circuits in a single housing.
- Each circuit individually controls front and rear service brakes.
- Meets FMVSS 121 requirements.

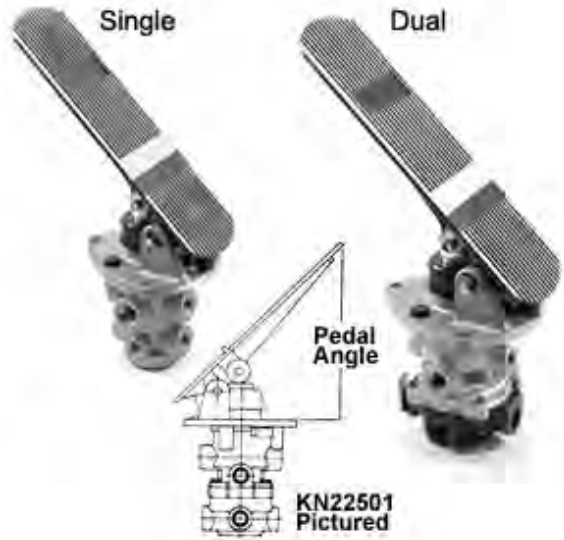
Specifications:

Approximate Weight 2.8 lbs.

SKU#	Product Description	Supply Ports (4)	Delivery Ports (4)	Mounting Studs	Repair Kit	Notes	OEM Part Number	Picture	Core Group
KN22150	Standard Tractor Dual Circuit - 1975 and Up	3/8" NPT	3/8" NPT	5/16"-24 Thread 5/8" Length	RN10JP	-	N30099LA	2	-

Haldex (New/Remanufactured)

Single or Dual Circuit – Pedal Attached



Features:

- Features either a single or dual circuit foot valve with pedal attached.
- An easy way to replace the entire assembly.
- Interchanges with competitive models.

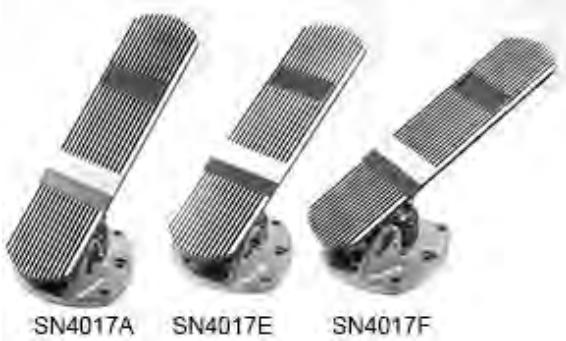
Specifications:

Approximate Weight – Single Circuit 4 lbs.
 Approximate Weight – Dual Circuit 5 lbs.

SKU#	Product Description	Pedal Angle	Valve Included	OEM Part Number
KN22501	Dual Circuit with Pedal Attached	45°	KN22150	N30072HC
KN22511	Dual Circuit with Pedal Attached	27°	KN22150	N30072HA
KN22521	Dual Circuit with Pedal Attached	34°	KN22150	N30072HB
KN22600	Single Circuit with Pedal Attached	45°	KN22100	N30072FA
KN22610	Single Circuit with Pedal Attached	27°	KN22100	N30072FC
KN22620	Single Circuit with Pedal Attached	34°	KN22100	N30072FB

Haldex (New/Remanufactured)

Aluminum Treadle



Features:

- A lightweight, strong pedal for brake application valves.
- Logo is cast in pedal surface – won't wear off.
- Replaces most steel pedals on today's vehicles.
- Interchanges with most competitive models.

Specifications:

Approximate Weight 2.2 lbs.

SKU#	Product Description	Pedal Angle	OEM Part Number
SN4017A	Aluminum Treadle for Brake Application Valves	45°	N30056BR
SN4017E	Aluminum Treadle for Brake Application Valves	34°	N30056BX
SN4017F	Aluminum Treadle for Brake Application Valves	27°	N30056BW

Competitive (Remanufactured)

Bendix® E-2 & E-3



Features:

- Floor mounted.
- Treadle or Lever actuated.
- Used in single circuit systems.

Specifications:

Approximate Weight 1.3 lbs.

Notes:

- 1) Repair Kit use part number **276119K**.

SKU#	Product Description	Supply	Delivery	Auxiliary	Notes	Core Group
229501RX	Remanufactured Bendix® E-2 CoreFree™	2 @ 1/2"	4 @ 1/2"	2 @ 1/4"	-	-
229501X	Remanufactured Bendix® E-2	2 @ 1/2"	4 @ 1/2"	2 @ 1/4"	-	103E-6
277863X	Remanufactured Bendix® E-3	2 @ 1/2"	4 @ 1/2"	2 @ 1/4"	Slightly Longer Plunger than E-2	103E-6
278998RX	Remanufactured Bendix® E-3 CoreFree™	2 @ 1/2"	4 @ 1/2"	3 @ 1/4"	Slightly Longer Plunger than E-2	-
278998X	Remanufactured Bendix® E-3	2 @ 1/2"	4 @ 1/2"	3 @ 1/4"	Slightly Longer Plunger than E-2	103E-6

Competitive (Remanufactured)

Bendix® E-5



Features:

- Firewall mounted.
- Mounted in cab of truck.
- Suspended pedal.
- Used in single circuit systems.

Specifications:

Approximate Weight 2 lbs.

Notes:

- 1) Repair Kit not available.

SKU#	Product Description	Supply	Delivery	Core Group
279950RX	Remanufactured Bendix® E-5 CoreFree™	5 @ 1/4" 1 @ 1/2"	1 @ 1/2" 2 @ 1/4" 1 @ 3/8"	-
279950X	Remanufactured Bendix® E-5	5 @ 1/4" 1 @ 1/2"	1 @ 1/2" 2 @ 1/4" 1 @ 3/8"	103E-6

Competitive (Remanufactured)

Bendix® E-6 Dual Circuit



Features:

- Floor mounted, treadle or lever operated.
- Two separate supply and delivery circuits for service and secondary braking.
- Meets FMVSS-121 requirements.

Specifications:

Approximate Weight 4.8 lbs.

Notes:

- 1) Repair Kit use part number **287368K**.

SKU#	Product Description	Supply (4)	Delivery (4)	Core Group
286171RX	Remanufactured Bendix® E-6 Dual Circuit CoreFree™	3/8"	3/8"	-
286171X	Remanufactured Bendix® E-6 Dual Circuit	3/8"	3/8"	103E-6

Competitive (Remanufactured)

Bendix® E-7 Dual Circuit



Features:

- Firewall mounted.
- Suspended pedal foot valve.
- Two separate supply and delivery circuits.
- Used in dual or split air brake systems.

Specifications:

Approximate Weight 3.7 lbs.

Notes:

- 1) Repair Kit use part number **289352K**.

SKU#	Product Description	Supply	Delivery	Exhaust	Sup. Ports Mount Side	Del. Ports Mount Side	Core Group
101818RX	Reman. Bendix® E-7 Dual Circuit CoreFree™	4 @ 1/4"	4 @ 3/8"	Diaphragm	1 @ 1/8" 2 @ 1/2"	2 @ 1/2"	-
101818X	Reman. Bendix® E-7 Dual Circuit	4 @ 1/4"	4 @ 3/8"	Diaphragm	1 @ 1/8" 2 @ 1/2"	2 @ 1/2"	106E-7
284760RX	Reman. Bendix® E-7 Dual Circuit CoreFree™	2 @ 1/4"	-	Diaphragm	2 @ O-ring Sealed Flange	2 @ O-ring Sealed Flange	-
284760X	Reman. Bendix® E-7 Dual Circuit	2 @ 1/4"	-	Diaphragm	2 @ O-ring Sealed Flange	2 @ O-ring Sealed Flange	106E-7
286773RX	Reman. Bendix® E-7 Dual Circuit CoreFree™	4 @ 1/4"	4 @ 1/4"	1/2"	1 @ 1/8" 2 @ 1/2"	2 @ 1/2"	-
286773X	Reman. Bendix® E-7 Dual Circuit	4 @ 1/4"	4 @ 1/4"	1/2"	1 @ 1/8" 2 @ 1/2"	2 @ 1/2"	106E-7
286774RX	Reman. Bendix® E-7 Dual Circuit CoreFree™	4 @ 1/4"	4 @ 1/4"	1/2"	1 @ 1/8" 2 @ 1/2"	2 @ 1/2"	-
286774X	Reman. Bendix® E-7 Dual Circuit	4 @ 1/4"	4 @ 1/4"	1/2"	1 @ 1/8" 2 @ 1/2"	2 @ 1/2"	106E-7
286775RX	Reman. Bendix® E-7 Dual Circuit CoreFree™	4 @ 1/4"	4 @ 1/4"	1/2"	1 @ 1/8" 2 @ 1/2"	2 @ 1/2"	-
286775X	Reman. Bendix® E-7 Dual Circuit	4 @ 1/4"	4 @ 1/4"	1/2"	1 @ 1/8" 2 @ 1/2"	2 @ 1/2"	106E-7
287411RX	Reman. Bendix® E-7 Dual Circuit CoreFree™	2 @ 3/8" 2 @ 1/4"	2 @ 3/8" 2 @ 1/4"	1/2"	1 @ 1/8" 2 @ 1/2"	2 @ 1/2"	-
287411X	Reman. Bendix® E-7 Dual Circuit	2 @ 3/8" 2 @ 1/4"	2 @ 3/8" 2 @ 1/4"	1/2"	1 @ 1/8" 2 @ 1/2"	2 @ 1/2"	106E-7
287564RX	Reman. Bendix® E-7 Dual Circuit CoreFree™	4 @ 1/4"	2 @ 1/4" 2 @ 3/8"	Diaphragm	1 @ 1/8" 2 @ 1/2"	2 @ 1/2"	-
287564X	Reman. Bendix® E-7 Dual Circuit	4 @ 1/4"	2 @ 1/4" 2 @ 3/8"	Diaphragm	1 @ 1/8" 2 @ 1/2"	2 @ 1/2"	106E-7
288383RX	Reman. Bendix® E-7 Dual Circuit CoreFree™	4 @ 1/4"	4 @ 1/4"	Diaphragm	1 @ 1/8" 2 @ 1/2"	2 @ 1/2"	-
288383X	Reman. Bendix® E-7 Dual Circuit	4 @ 1/4"	4 @ 1/4"	Diaphragm	1 @ 1/8" 2 @ 1/2"	2 @ 1/2"	106E-7

Competitive (Remanufactured)

Bendix® E-10 Dual Circuit



Features:

- Floor mounted, treadle operated.
- Two separate supply and delivery circuits for service and secondary braking.
- Used in dual or split air brake systems.

Specifications:

Approximate Weight 4.8 lbs.

Notes:

- 1) Repair Kit not available.

SKU#	Product Description	Supply (4)	Delivery (4)	Core Group
101100RX	Remanufactured Bendix® E-10 Dual Circuit CoreFree™	3/8"	3/8"	-
101100X	Remanufactured Bendix® E-10 Dual Circuit	3/8"	3/8"	103E-6

Competitive (Remanufactured)

Bendix® E-12



Features:

- Firewall mounted.
- Mounted in cab of truck.
- Dual circuit valve with two separate supply and delivery circuits.

Specifications:

Approximate Weight 2.8 lbs.

Notes:

- 1) Treadle and mounting plate not furnished.

SKU#	Product Description	Supply	Delivery	Auxiliary	Core Group
65313X	Remanufactured Bendix® E-12	3/8"-18	3/8"-18	1/4"-18	160E12

Competitive (Remanufactured)

Bendix® E-14



Features:

- Firewall mounted.
- Dual circuit valve with two separate supply and delivery circuits.

Specifications:

Approximate Weight 8 lbs.

Notes:

- 1) Used with manifold.
- 2) Pedal and mounting plate not furnished.

SKU#	Product Description	Supply	Delivery	Core Group
65395X	Remanufactured Bendix® E-14	3/8"-18	3/8"-18	166E14

Haldex (New)

One-Way Check Valves



Features:

- Permits air flow in one direction only.
- Used wherever pressures must be isolated and not allowed to flow back.
- KN23020 equipped with Schrader valve; used to air system.
- All models are male-female thread except KN23080.

Notes:

- 1) Use heavy duty models on compressor discharge.

SKU#	Product Description	Inlet/Outlet	Length	Repair Kit	Notes	OEM Part Number	Style
KN23000	One-Way Check Valve	1/2"	2.47"	RN10CH	Heavy Duty	N13526AJ	1
KN23010	One-Way Check Valve	3/8"	2.47"	RN10CH	Heavy Duty	N13526AG	1
KN23040	One-Way Check Valve	3/4"	2.31"	RN10Y	Standard	N13526J	1
KN23060	One-Way Check Valve	1/2"	1.85"	RN10HZ	Brass - 90° style	N13526BL	3
KN23080	One-Way Check Valve	1/4"	1.85"	RN10Y	Standard - 2 female	N13526D	4

Haldex (New)

Two-Way Check Valve – Shuttle Type



Features:

- Only mount horizontally as pictured.
- Interchangeable with most competitive models.
- Use when two valves must independently control or supply one system.

Specifications:

Approximate Weight .6 lbs.

Notes:

- 1) Repair Kit use part number **RN11W**.

SKU#	Product Description	Inlet A	Inlet B	Outlet C	Outlet D	OEM Part Number
KN25061	Shuttle Type Two-Way Check Valve	3/8" NPT (female)	3/8" NPT (female)	3/8" NPT (female)	-	N20966BA
KN25080	Shuttle Type Two-Way Check Valve	3/8" NPT (male)	3/8" NPT (female)	3/8" NPT (female)	1/4" NPT (female)	N20966A
KN25090	Shuttle Type Two-Way Check Valve	3/8" NPT (female)	3/8" NPT (female)	3/8" NPT (female)	1/4" NPT (female)	N20966B
KN25100	Shuttle Type Two-Way Check Valve	1/2" NPT (male)	3/8" NPT (female)	3/8" NPT (female)	3/8" NPT (female)	N20966G
KN25110	Shuttle Type Two-Way Check Valve	3/8" NPT (female)	3/8" NPT (female)	3/8" NPT (female)	3/8" NPT (female)	N20966F
KN25120	Shuttle Type Two-Way Check Valve	1/4" NPT (female)	1/4" NPT (female)	1/4" NPT (female)	1/4" NPT (female)	N20966M

Haldex (New)

Two-Way Check Valve – Diaphragm Type



Features:

- Not position sensitive, may be mounted in any position.
- Can be used in place of ball or shuttle types.
- Use when two valves must independently control or supply one system.

Specifications:

Approximate Weight .3 lbs.

Notes:

- 1) Repair Kit use part number **RN11V**.

SKU#	Product Description	Inlet B	Inlet D	Outlet C	OEM Part Number
KN25060	Diaphragm Type Two-Way Check Valve	3/8" NPT (female)	3/8" NPT (female)	3/8" NPT (female)	N20954A

Competitive (Remanufactured)

Bendix® DS-1



Features:

- Stoplight switch.
- Functions as both a stoplight switch and a double check valve.
- Used in pre-FMVSS-121 single circuit systems.

Specifications:

Terminal Thread 8/32
Approximate Weight .9 lbs.

Notes:

- 1) Repair Kit not available.

SKU#	Product Description	Male Port (1)	Female Port (2)	Core Group
228050RX	Remanufactured Bendix® DS-1 Double Check Valve – CoreFree™	1/2"	1/4"	-
228050X	Remanufactured Bendix® DS-1 Double Check Valve	1/2"	1/4"	140DS1
228165RX	Remanufactured Bendix® DS-1 Double Check Valve – CoreFree™	3/8"	1/4"	-
228165X	Remanufactured Bendix® DS-1 Double Check Valve	3/8"	1/4"	140DS1
228520RX	Remanufactured Bendix® DS-1 Double Check Valve – CoreFree™	1/2"	1 @ 1/4" 1 @ 3/8"	-
228520X	Remanufactured Bendix® DS-1 Double Check Valve	1/2"	1 @ 1/4" 1 @ 3/8"	140DS1

Auxiliary – Adjustable



Features:

- For auxiliary systems only. Not used in the brake system.
- Used in air systems where reduced pressure levels are required.
- Pressure settings are based on 100 PSI supply.
- Designed for constant supply, not on-off applications.

Specifications:

Approximate Weight .31 lbs.

Notes:

- 1) Repair Kit use part number **RN17Y**.

SKU#	Product Description	Inlet	Outlet	Factory Pressure Setting	OEM Part Number
KN31040	Adjustable Air Regulating Valve for Auxiliary Systems	1/4" NPT	1/4" NPT	20 PSI	N15817A
KN31050	Adjustable Air Regulating Valve for Auxiliary Systems	1/4" NPT	1/4" NPT	45 PSI	N15817F
KN31060	Adjustable Air Regulating Valve for Auxiliary Systems	1/4" NPT	1/4" NPT	65 PSI	N15817K

High Pressure – Adjustable



Features:

- Factory PSI pre-set at charted levels.
- Used wherever a reduced pressure is required.
- Can be used with air assisted transmissions such as Fuller RoadRanger or Spicer.

Specifications:

Approximate Weight 1.25 lbs.

SKU#	Product Description	Factory Pressure Setting	Inlet	Outlet	OEM Part Number
KN31041	Adjustable Air Regulating Valve with Factory Pre-Set PSI	50 ± 5 PSI	3/8" NPT	1/4" NPT	N13680BZ
N13680BZ	Adjustable Air Regulating Valve with Factory Pre-Set PSI	50 ± 5 PSI	3/8" NPT	1/4" NPT	N13680BZ

Manual – Adjustable



Features:

- May be used to pre-set pressure levels on accessory systems.
- A non-exhaust type regulator.
- Adjusts from 10 to 125 PSI output.

Specifications:

Approximate Weight 1 lb.

SKU#	Product Description	Delivery	Supply	OEM Part Number
KN31070	Adjustable Air Regulating Valve	3/8" NPT	3/8" NPT	N10044K

Haldex/Midland (New)

Pressure Protection Valve – Haldex



Features:

- Protects the air brake system in the event of a leak or failure within the air suspension system.
- Premium Valve has a serviceable replacement filter that minimizes contaminants and other debris from entering other air system accessories.

Specifications:

48100200 Replacement Filter Kit for Premium Valve

SKU#	Product Description	All Ports	Closing Pressure	Opening Pressure
90554107	Pressure Protection Valve – Premium	1/4" NPT	70 PSIG	75 PSIG minimum
90554151	Pressure Protection Valve – Premium	M12 x 1.5	5.2 BAR minimum	6.1 BAR minimum
90555396	Pressure Protection Valve	1/4" NPT	65 PSI	70 PSI
90555397	Pressure Protection Valve	1/4" NPT	80 PSI	85 PSI
90555398	Pressure Protection Valve	1/4" NPT	90 PSI	95 PSI
90555409	Pressure Protection Valve with One-Way Check	1/4" NPT	65 PSI	70 PSI
90555410	Pressure Protection Valve with One-Way Check	1/4" NPT	80 PSI	85 PSI
90555411	Pressure Protection Valve with One-Way Check	1/4" NPT	90 PSI	95 PSI

Competitive (Remanufactured)

Bendix® PR-2



Features:

- Protects the brake system from accessory failure.
- Pressure setting is adjustable.

Specifications:

Approximate Weight .7 lbs.

Notes:

- 1) Repair Kit not available.

SKU#	Product Description	Supply	Delivery	Notes	Core Group
277147RX	Remanufactured Bendix® PR-2 CoreFree™	1/4"	1/4"	Minimum Closing Pressure 65 PSI	-
277147X	Remanufactured Bendix® PR-2	1/4"	1/4"	Minimum Closing Pressure 65 PSI	152PR4
277148RX	Remanufactured Bendix® PR-2 CoreFree™	1/4"	1/4"	Minimum Closing Pressure 85 PSI	-
277148X	Remanufactured Bendix® PR-2	1/4"	1/4"	Minimum Closing Pressure 85 PSI	152PR4

Competitive (Remanufactured)

Bendix® PR-4



Features:

- Protects the brake system from accessory failure.
- Pressure setting is not adjustable.

Specifications:

Approximate Weight .6 lbs.

Notes:

- 1) Repair Kit not available.

SKU#	Product Description	Supply	Delivery	Notes	Core Group
286500RX	Remanufactured Bendix® PR-4 CoreFree™	1/4"	1/4"	Minimum Closing Pressure 85 PSI	-
286500X	Remanufactured Bendix® PR-4	1/4"	1/4"	Minimum Closing Pressure 85 PSI	152PR4

Pressure Relief Valves



Features:

- Protects from damage due to excessive pressure.
- Made of brass and stainless steel.
- Will not rust or corrode.

Specifications:

Approximate Weight .3 lbs.

SKU#	Product Description	Body Style	Thread Size	PSI	Notes	OEM Part Number
KN31200	Pressure Relief Valve	Short	1/4"	150	-	N1178AA
KN31250	Pressure Relief Valve	Short	3/8"	150	Pure Air	N1178BB
KN31300	Pressure Relief Valve	Short	1/2"	150	-	N1178AC
KN31400	Pressure Relief Valve	Long	1/4"	150	-	N1178CA
KN31450	Pressure Relief Valve	Long	3/8"	150	-	N1178CB
KN31526	Pressure Relief Valve	Closed	1/4"	250	EL Compressor	N1178DF
KN31527	Pressure Relief Valve	Closed	3/8"	175	Pure Air Plus, PURest, ModulAir®	N1178EE
KN31528	Pressure Relief Valve	Closed	1/4"	170	-	N1178EC
KN31529	Pressure Relief Valve	Closed	3/8"	200	Pure Air Plus, PURest, ModulAir® – fit and functionally the same as KN31527 but has a higher pressure setting. Has felt sleeve (not shown) to protect vent holes from road debris.	N1178EH

Haldex (New/Remanufactured)

Two-Line Manifold Style



Features:

- Can replace up to four valves on competitive systems.
- Available with Push-To-Connect (PTC) fittings for nylon tubes.

Specifications:

Approximate Weight 1.5 lbs.

Notes:

- 1) Repair Kit use part number **RN31BC**.
- 2) Includes tractor protection, two double check valves, stoplight switch port, and built-in quick release, all in one valve.

SKU#	Product Description	Trac. Emer. Inlet	Foot Cont.	Hand Cont.	Stop Light Switch	Trlr. Serv. Outlet	Trlr. Emer. Outlet	Exh. Tube	Notes	OEM Part Number
KN34101	Two-Line	3/8" PTC	1@1/2" PTC 1@3/8" PTC	3/8" PTC	1@1/4"	1/2"	1/2"	No	PTC fittings	N30162RD
KN34110	Two-Line	3/8"	2@3/8"	3/8"	1@1/4"	1/2"	1/2"	Yes	-	N30162MA
KN34111	Two-Line	3/8"	2@3/8"	3/8"	1@1/4"	1/2"	1/2"	No	-	N30162ME
KN34123	Two-Line	3/8" PTC	1@1/2" PTC 1@3/8" PTC	3/8" PTC	1@1/4" 45° PTC	1/2"	1/2"	No	PTC fittings Volvo Application	N30162RJ
KN34130	Two-Line	3/8"	2@3/8"	3/8"	1@1/4" 1@1/8" plugged	1/2"	1/2"	Yes	Body rotated 180° from picture	N30162PC
KN34131	Two-Line	3/8"	2@3/8"	-	1@1/4"	1/2"	1/2"	No	-	N30162MG

Haldex (New/Remanufactured)

Two-Line Manifold Style Remanufactured



Features:

- Can replace up to four valves on competitive systems.

Specifications:

Approximate Weight 1.5 lbs.

Notes:

- 1) Repair Kit use part number **RN31BC**.
- 2) Includes tractor protection, two double check valves, stoplight switch port, and built-in quick release, all in one valve.

SKU#	Product Description	Trac. Emer. Inlet	Foot Cont.	Hand Cont.	Stop Light Switch	Trlr. Serv. Outlet	Trlr. Emer. Outlet	Exh. Tube	OEM Part Number	Core Group
KN34080X	Remanufactured Two-Line Manifold Style	3/8"	2@3/8"	3/8"	1@1/4" 1@3/8" plugged	3/8"	3/8"	-	-	225
KN34090X	Remanufactured Two-Line Manifold Style	3/8"	2@3/8"	3/8"	1@1/4" 1@3/8" plugged	1/2"	1/2"	-	-	225
KN34100X	Remanufactured Two-Line Manifold Style	3/8"	2@3/8"	3/8"	1@1/4"	3/8"	3/8"	-	-	225
KN34110X	Remanufactured Two-Line Manifold Style	3/8"	2@3/8"	3/8"	1@1/4"	1/2"	1/2"	Yes	N30162MA	225

Haldex (New/Remanufactured)

Two-Line Non-Automatic



Features:

- Quick release feature eliminates the need for an extra valve.
- Will not allow trailer brake compounding.
- Directly replaces competitive valves.
- Available with Push-To-Connect (PTC) fittings for easy installation.

Specifications:

Approximate Weight 1.3 lbs.

Notes:

- 1) **MUST BE USED WITH PRESSURE SENSING DASH CONTROL VALVE.**

SKU#	Product Description	Tractor Service	Tractor Emer.	Trailer Service	Trailer Emer.	Remarks	OEM Part Number	Core Group
KN34060	Two-Line Non-Automatic	3/8"	1/4"	1/2"	1/2"	-	N20949CA	-
KN34060X	Remanufactured Two-Line Non-Automatic	3/8"	1/4"	1/2"	1/2"	-	N20949CA	225
KN34061	Two-Line Non-Automatic	3/8"	1/4"	1/2"	1/2"	Exhaust Fitting	N20949CF	-

Competitive (Remanufactured)

Bendix® TP-2



Features:

- Dual mounting.
- 3-line automatic style.
- Used in pre-FMVSS-121 vehicles.
- Used in conjunction with dash mounted control valves.

Specifications:

Approximate Weight .8 lbs.

Notes:

- 1) Repair Kit use part number **229418K**.

SKU#	Product Description	Tractor Control	Tractor Service	Tractor Emergency	Trailer Service	Trailer Emergency	Stoplight Switch	Core Group
227661X	Remanufactured Bendix® TP-2	1/4"	3/8"	3/8"	3/8"	3/8"	-	111TP3
227672X	Remanufactured Bendix® TP-2	1/4"	3/8"	3/8"	1/2"	1/2"	-	111TP3
283090RX	Remanufactured Bendix® TP-2 CoreFree™	1/4"	3/8"	3/8"	1/2"	1/2"	1/8"	-
283090X	Remanufactured Bendix® TP-2	1/4"	3/8"	3/8"	1/2"	1/2"	1/8"	111TP3

Competitive (Remanufactured)

Bendix® TP-3



Features:

- Generally mounted on the rear of the tractor cab.
- Two-Line Non-Automatic Style.
- Meets FMVSS-121 requirements.
- Used in conjunction with dash mounted control valves.

Specifications:

Functions Between 20 – 45 PSI
Approximate Weight .8 lbs.

Notes:

- 1) Repair Kit use part number **280858K**.

SKU#	Product Description	Tractor Service	Tractor Emergency	Trailer Service	Trailer Emergency	Core Group
279000RX	Remanufactured Bendix® TP-3 CoreFree™	3/8"	1/4"	1/2"	1/2"	-
279000X	Remanufactured Bendix® TP-3	3/8"	1/4"	1/2"	1/2"	111TP3
279692RX	Remanufactured Bendix® TP-3 CoreFree™	3/8"	1/4"	3/8"	3/8"	-
279692X	Remanufactured Bendix® TP-3	3/8"	1/4"	3/8"	3/8"	111TP3

Competitive (Remanufactured)

Bendix® TP-4



Features:

- Formerly VM-1 Control Valve Manifold.
- Combination of a tractor protection valve and two double check valves.
- Used in conjunction with a PP-3 or PP-7 to perform normal functions of a tractor protection valve.

Specifications:

Application Ford "L" Model tractors only
Approximate Weight 2.2 lbs.

Notes:

- 1) Repair Kit use part number **283863K**.

SKU#	Product Description	Delivery	Trailer Emergency	Trailer Service	Stoplight Switch	Core Group
288301X	Remanufactured Bendix® TP-4	2 @ 3/8"	1/4"	3/8"	1/4"	113TP5

Competitive (Remanufactured)

Bendix® TP-5



Repair Kit use part number 289061K

SKU#	Product Description	Notes	Approx. Weight	Picture Number	Core Group
106941X	Remanufactured Bendix® TP-5	Mounting Holes Not Threaded	2.7 lbs.	1	113TP5
288605RX	Remanufactured Bendix® TP-5 CoreFree™	Threaded Mounting Holes	2.3 lbs.	2	-
288605X	Remanufactured Bendix® TP-5	Threaded Mounting Holes	2.3 lbs.	2	113TP5

Haldex (New)

Quick Release Valve



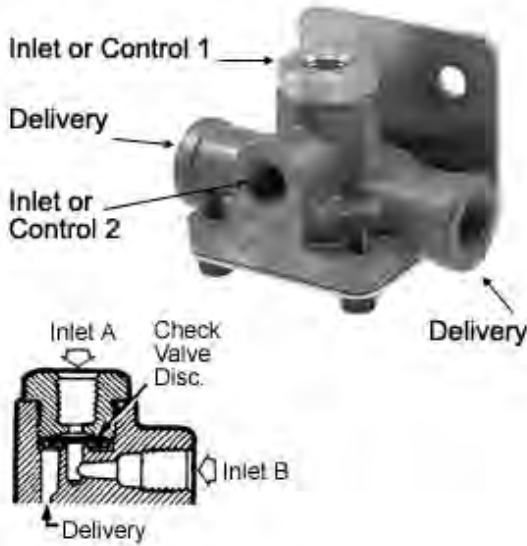
Features:

- Used wherever a quick release function is required in the air brake system.
- Made of durable (EGC) Engineering Grade Composite.
- Corrosion and weather resistant.
- Utilizes an oil resistant diaphragm for longer life.
- Available with Push-To-Connect (PTC) fittings.

SKU#	Product Description	Crack Pressure	Inlet	Delivery	Notes	OEM Part Number
KN32003	Quick Release Valve	3	1/2"	3/8"	-	N20959HA
KN32005	Quick Release Valve	0	3/8"	3/8"	-	N20959MB
KN32006	Quick Release Valve	3	3/8"	3/8"	-	N20959NB
KN32011	Quick Release Valve	0	1/2"	3/8"	-	N20959MA
KN32013	Quick Release Valve	0	1/2"	3/8"	With Bottom Cover	N20959KA
KN32014	Quick Release Valve	0	1/2"	1/2" PTC	Push-To-Connect Fittings	N20959MF
KN32050	Quick Release Valve	6	1/2"	3/8"	-	N20959NC
KN32060	Quick Release Valve	6	3/8"	3/8"	-	N20959ND

Haldex (New)

Quick Release Valve with Two-Way Check



KN32041 Shown

Features:

- Used in spring brake control circuits to prevent compounding on trucks and tractors.
- Replaces two valves with one.
- The diaphragm and disk are oil resistant for longer life.
- Available with Push-To-Connect (PTC) fittings.

Specifications:

Mounting Centers 1.50"
Approximate Weight 1 lb.

Notes:

- 1) Repair Kit use part number **RN19AF**.

SKU#	Product Description	Control (2)	Delivery (2)	Notes	OEM Part Number
KN32040	Quick Release Valve with Two-Way Check	1/4"	1/4"	-	N20952AC
KN32041	Quick Release Valve with Two-Way Check	1/4"	3/8"	-	N20952AD
KN32042	Quick Release Valve with Two-Way Check	1/4"	3/8"	Reversed Bracket	N20952AE
KN32043	Quick Release Valve with Two-Way Check	3/8" PTC	3/8"	Push-To-Connect Fittings	N20952BA

Competitive (Remanufactured)

Bendix® LQ-2 Limiting Quick Release Valve



Features:

- Mounted on front axle.
- Limits front axle brake application by 50% on slippery roads, full application pressure on dry roads.
- Serves as a Quick Release Valve for the front axle.
- Used on pre-FMVSS-121 vehicles.

Specifications:

Approximate Weight 1 lb.

Notes:

- 1) Repair Kit use part number 282098K.

SKU#	Product Description	Supply	Delivery	Cut Out Port	Core Group
229505RX	Remanufactured Bendix® LQ-2 CoreFree™	3/8"	2 @ 3/8"	1/4"	-
229505X	Remanufactured Bendix® LQ-2	3/8"	2 @ 3/8"	1/4"	145LQ5
229507RX	Remanufactured Bendix® LQ-2 CoreFree™	1/2"	2 @ 1/4"	1/4"	-
229507X	Remanufactured Bendix® LQ-2	1/2"	2 @ 1/4"	1/4"	145LQ5
229509RX	Remanufactured Bendix® LQ-2 CoreFree™	3/8"	2 @ 1/4"	1/4"	-
229509X	Remanufactured Bendix® LQ-2	3/8"	2 @ 1/4"	1/4"	145LQ5

Competitive (Remanufactured)

Bendix® LQ-4 Ratio Valve



Features:

- Automatically reduces application pressure to the front service brakes.
- Preset "Hold-Off" pressure prevents the front brakes from operating until the "Hold-Off" pressure is reached.
- Meets FMVSS-121 requirements.

Specifications:

Approximate Weight .9 lbs.

Notes:

- 1) Repair Kit use part number **289500K**.

SKU#	Product Description	Supply	Delivery	Nominal Hold-Off Pressure	Nominal Equalizing Pressure	Core Group
101311RX	Remanufactured Bendix® LQ-4 Ratio Valve - CoreFreeA™	3/8"	3/8"	20 PSI	70 PSI	-
101311X	Remanufactured Bendix® LQ-4 Ratio Valve	3/8"	3/8"	20 PSI	70 PSI	145LQ5
289144RX	Remanufactured Bendix® LQ-4 Ratio Valve - CoreFreeA™	3/8"	3/8"	4 PSI	60 PSI	-
289144X	Remanufactured Bendix® LQ-4 Ratio Valve	3/8"	3/8"	4 PSI	60 PSI	145LQ5
289148RX	Remanufactured Bendix® LQ-4 Ratio Valve - CoreFreeA™	3/8"	3/8"	10 PSI	65 PSI	-
289148X	Remanufactured Bendix® LQ-4 Ratio Valve	3/8"	3/8"	10 PSI	65 PSI	145LQ5

Competitive (Remanufactured)

Bendix® LQ-5 Bobtail Ratio Valve



Features:

- Used on the front (steering) axle of tractor air brake systems.
- Reduces brake application pressure during normal tractor/trailer operation.
- Delivers full brake pressure to the steering axle during bobtail mode.

Specifications:

Application Tractor Systems Only
Approximate Weight .9 lbs.

Notes:

- 1) Repair Kit not available.

SKU#	Product Description	Supply	Delivery	Control	Core Group
65154X	Remanufactured Bendix® LQ-5 Bobtail Ratio Valve	3/8"	3/8"	1/8"	145LQ5

Competitive (Remanufactured)

Bendix® QR-1 Quick Release Valve



Features:

- Decreases the release time on a brake application.
- Exhausts air through itself rather than through the controlling valve.

Specifications:

Crack Pressure 1 PSI
Approximate Weight .8 lbs.

Notes:

- 1) Repair Kit not available.

SKU#	Product Description	Supply	Delivery	Exhaust	Core Group
229813RX	Remanufactured Bendix® QR-1 CoreFree™	3/8"	1/4"	-	-
229813X	Remanufactured Bendix® QR-1	3/8"	1/4"	-	118QR1
229844RX	Remanufactured Bendix® QR-1 CoreFree™	1/2"	1/4"	-	-
229844X	Remanufactured Bendix® QR-1	1/2"	1/4"	-	118QR1
229859RX	Remanufactured Bendix® QR-1 CoreFree™	3/8"	3/8"	-	-
229859X	Remanufactured Bendix® QR-1	3/8"	3/8"	-	118QR1
229860RX	Remanufactured Bendix® QR-1 CoreFree™	1/2"	3/8"	-	-
229860X	Remanufactured Bendix® QR-1	1/2"	3/8"	-	118QR1
281024RX	Remanufactured Bendix® QR-1 CoreFree™	1/4"	1/4"	-	-
281024X	Remanufactured Bendix® QR-1	1/4"	1/4"	-	118QR1
288251RX	Remanufactured Bendix® QR-1 CoreFree™	3/8"	3/8"	3/8"	-
288251X	Remanufactured Bendix® QR-1	3/8"	3/8"	3/8"	118QR1

Competitive (Remanufactured)

Bendix® QR-1C Quick Release and Double Check Valve



Features:

- Functions as a Quick Release Valve for the emergency side of the spring brakes.
- Double Check Valve prevents simultaneous application of the emergency side of the spring brakes (Anti-Compounding).
- Supply and delivery differential is 1 PSI max.

Specifications:

Crack Pressure 1 PSI
Approximate Weight 1.2 lbs.

Notes:

- 1) Repair Kit not available.

SKU#	Product Description	Supply	Delivery	Core Group
289182RX	Remanufactured Bendix® QR-1C CoreFree™	1/4"	1/4"	-
289182X	Remanufactured Bendix® QR-1C	1/4"	1/4"	118QR1
289714RX	Remanufactured Bendix® QR-1C CoreFree™	1/4"	3/8"	-
289714X	Remanufactured Bendix® QR-1C	1/4"	3/8"	118QR1

Haldex (New/Remanufactured)

Inversion Valve – pre-March 1998



Features:

- Complies with pre-March 1998 FMVSS-121 regulations.
- Detects primary reservoir air system failure, allowing modulated control of spring brakes.
- Interchangeable with competitive models (with hose line relocation).
- Available with (PTC) Push-To-Connect fittings.

Specifications:

Mounting Centers 4.65"
Approximate Weight 1.6 lbs.

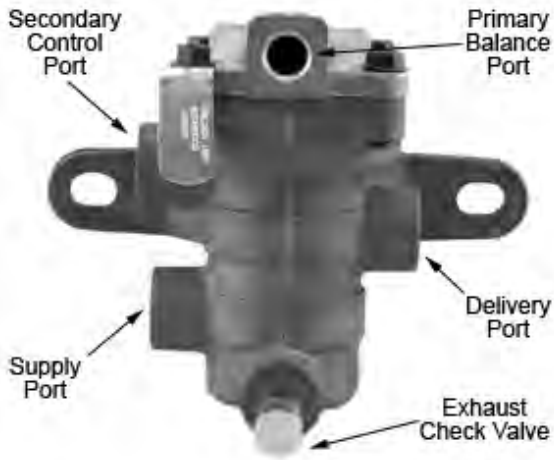
Notes:

- 1) Repair Kit use part number **RN10EV**.

SKU#	Product Description	Primary Reservoir	Supply	Control	Delivery	OEM Part Number	Core Group
KN28030	Inversion Valve	1/4"	1/4"	1/4"	1/4"	N20950AA	-
KN28030X	Remanufactured Midland Inversion Valve	1/4"	1/4"	1/4"	1/4"	N20950AA	225
KN28034	Inversion Valve	3/8" PTC	3/8" PTC	3/8" PTC	3/8" PTC	N20950AB	-

Haldex (New/Remanufactured)

Inversion Valve – March 1998



Features:

- Used with spring brake equipped truck or tractors.
- Complies with FMVSS-121 regulations effective March 1998.
- Detects primary control line failure, allowing modulated control of spring brakes.
- Interchangeable with competitive models.
- Available with (PTC) Push-To-Connect fittings.

Specifications:

Mounting Centers 4.65" to 5.00"
Approximate Weight 1.7 lbs.

Notes:

- 1) Repair Kit use part number **RN10JT**.

SKU#	Product Description	Primary Balance	Supply	Control	Delivery	OEM Part Number
KN28032	Inversion Valve	1/4"	1/4"	1/4"	1/4"	N20950CA

Competitive (Remanufactured)

Bendix® SR-1



Features:

- Used on trucks and tractors with dual air brake systems.
- Spring brake release pressure is limited to 90-95 PSI through the SR-1.
- Normal parking functions are controlled through the SR-1.

Specifications:

Reservoir Trip Pressure	55 PSI
Approximate Weight	2.1 lbs.

Notes:

- 1) Repair Kit use part number **287072K**.

SKU#	Product Description	Supply	Delivery	Reservoir	Control	Core Group
286364RX	Remanufactured Bendix® SR-1 Spring Brake Valve - CoreFree™	1/4"	1/4"	1/4"	1/4"	-
286364X	Remanufactured Bendix® SR-1 Spring Brake Valve	1/4"	1/4"	1/4"	1/4"	117SR4

Haldex (New/Remanufactured)

Automatic Drain Valves



KN24000 Shown

Features:

- Available Heated (12 volt 5 AMP) and Non-Heated.
- Mounts to side or bottom of wet tank.
- Functions when pressure varies in air tank.
- Only one moving part.
- Cable looped on both ends.

Specifications:

All Ports 1/4"-18 threaded
Approximate Weight 1.7 lbs.

Notes:

- 1) Exhaust port must be facing down.
- 2) Direct replacement for Bendix DV2.
- 3) Repair Kit use part number **RN10HH**.
- 4) Replacement Parts: **10027** 5' Cable Kit, **KN24100** Filter Assembly.

SKU#	Product Description	Manual Drain Valve	Cable Length	Notes	OEM Part Number	Core Group
KN24000	Automatic Drain Valve	Yes	60"	Non-Heated	N20878A	-
KN24000X	Remanufactured Automatic Drain Valve	Yes	60"	Non-Heated	N20878A	200
KN24001	Automatic Drain Valve	Yes	60"	Heated	N20879A	-
KN24003	Automatic Drain Valve	Yes	64"	Heated Includes Packard Connector	N20879BA	-

Haldex (New/Remanufactured)

Manual Drain Valves



Features:

- Manual wet or dry tank drain valve.
- Allows complete draining of reservoirs.
- All models have 1/4" NPT (male) with sealant.
- Available with many cable options.
- Available in low or high profile design.

Specifications:

Approximate Weight .3 lbs.

Notes:

- 1) Replacement Cable Kit use part number **10027**.

SKU#	Product Description	Profile Design	Cable Option	OEM Part Number
12100	Manual Drain Valve	High	Less Cable	N15841
12102	Manual Drain Valve	High	24" Cable closed loop	N3613H
12103	Manual Drain Valve	High	36" Cable closed loop	N3613S
12104	Manual Drain Valve	High	48" Cable closed loop	N3613Z
12105	Manual Drain Valve	High	60" Cable closed loop	N3613AD
KN21004	Manual Drain Valve	High	48" unclasp ed supplied with ferrule	N3613AV
KN21008	Manual Drain Valve	High	96" unclasp ed supplied with ferrule	N3613BB
KN21100	Manual Drain Valve	Low	Less Cable	-
KN21102	Manual Drain Valve	Low	24" Cable closed loop	-
KN21103	Manual Drain Valve	Low	36" Cable closed loop	-
KN21104	Manual Drain Valve	Low	48" Cable closed loop	-
KN21105	Manual Drain Valve	Low	60" Cable closed loop	-

Competitive (Remanufactured)

Bendix® DV-2



Features:

- Mounts into bottom drain port of the reservoir.
- Only one moving part.

Notes:

- 1) Repair Kit use part number 282134K.

SKU#	Product Description	Approximate Weight	Notes	Core Group
281923RX	Remanufactured Bendix® DV-2 Automatic Drain Valve – CoreFree™	1.2 lbs.	Non-Heated	-
281923X	Remanufactured Bendix® DV-2 Automatic Drain Valve	1.2 lbs.	Non-Heated	146DV2
284795RX	Remanufactured Bendix® DV-2 Automatic Drain Valve – CoreFree™	1.4 lbs.	Heated	-
284795X	Remanufactured Bendix® DV-2 Automatic Drain Valve	1.4 lbs.	Heated	146DV2

Solenoid Air Valves



Features:

- Operated electrically by a simple "on-off" switch
- Operates to deliver air through one port in the "on" position
- Grounds through bracket

Specifications:

Ports	(2) 1/4" NPTF
Max Operating Pressure	130 PSI
Standard Operating Pressure	125 PSI

Note: This unit must be mounted in an upright position as shown.

SKU#	Product Description
KN68230	12 Volt Solenoid Air Valve
KN68237	24 Volt Solenoid Air Valve

Isolation Valve



Features:

- Used in conjunction with a turbocharged air compressor the isolation valve gives added fuel economy and greater engine efficiency.

Specifications:

Approximate Weight .25 lbs.

SKU#	Product Description	Port A	Port B	Port C	Port D	Height	OEM Part Number
KN23500	Isolation Valve	To air dryer inlet port	To pipe plug	To compressor discharge	To governor unloader	3.18"	N15842J

Competitive (Remanufactured)

Meritor WABCO Style Rear Axle Valve Packs



Features:

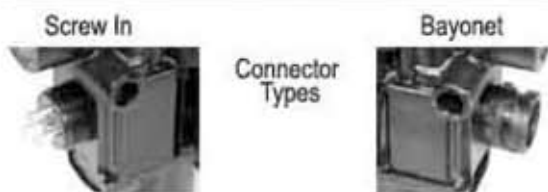
- Combines two ABS modulator valves and one service brake relay valve
- Usually attached to a frame cross-member
- Compatible with C, D and E versions of Meritor WABCO Style ECUs
- For a tandem drive axle, both wheels on the same side are typically controlled by the same valve

Specifications:

Voltage 12
Modulator Valve Ports 1/2" - 14 NPT
Application Truck/Tractor/Bus

Notes:

- 1) Use the following converter cables to switch connector styles:
 Screw to Bayonet **8946011322K**
 Bayonet to Screw **8946011332K**



SKU#	Product Description	Crack Pressure	System Config.	Valve Package Contains	Connector Type	Core Group
4725001000X	Reman. Rear Axle Valve Pack	4 psi	4S/4M	(1) 4721950800X Modulator Valve-Left (1) 4721950810X Modulator Valve-Right (1) 9730110210X Relay Valve 4 psi	Screw In	ABS5
4725001010X	Reman. Rear Axle Valve Pack	5.5 psi	4S/4M	(1) 4721950800X Modulator Valve-Left (1) 4721950810X Modulator Valve-Right (1) 9730110220X Relay Valve 5.5 psi	Screw In	ABS5
4725001020X	Reman. Rear Axle Valve Pack	4 psi	4S/4M 6S/4M	(1) 4721950820X Modulator Valve-Left (1) 4721950830X Modulator Valve-Right (1) 9730110210X Relay Valve 4 psi	Screw In	ABS5
4725001030X	Reman. Rear Axle Valve Pack	5.5 psi	4S/4M 6S/4M	(1) 4721950820X Modulator Valve-Left (1) 4721950830X Modulator Valve-Right (1) 9730110220X Relay Valve 5.5 psi	Screw In	ABS5
4725001200X	Reman. Rear Axle Valve Pack	4 psi	4S/4M	(1) 4721950760X Modulator Valve-Left (1) 4721950770X Modulator Valve-Right (1) 9730110210X Relay Valve 4 psi	Bayonet	ABS5
4725001210X	Reman. Rear Axle Valve Pack	5.5 psi	4S/4M	(1) 4721950760X Modulator Valve-Left (1) 4721950770X Modulator Valve-Right (1) 9730110220X Relay Valve 5.5 psi	Bayonet	ABS5

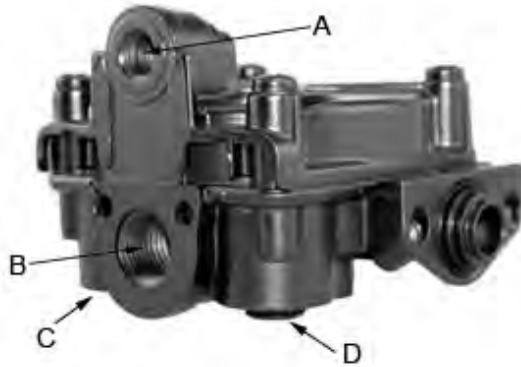
19-VALVES

Tractor ABS Valves

4725001220X	Reman. Rear Axle Valve Pack	4 psi	4S/4M 6S/4M	(1) 4721950780X Modulator Valve-Left (1) 4721950790X Modulator Valve-Right (1) 9730110210X Relay Valve 4 psi	Bayonet	ABS5
4725001230X	Reman. Rear Axle Valve Pack	5.5 psi	4S/4M 6S/4M	(1) 4721950780X Modulator Valve-Left (1) 4721950790X Modulator Valve-Right (1) 9730110220X Relay Valve 5.5 psi	Bayonet	ABS5
4725001240X	Reman. Rear Axle Valve Pack	4 psi	6S/6M	(1) 4721950780X Modulator Valve-Left (1) 4721950790X Modulator Valve-Right (1) 9730110230X Relay Valve 4 psi	Bayonet	ABS5
4725001250X	Reman. Rear Axle Valve Pack	5.5 psi	6S/6M	(1) 4721950780X Modulator Valve-Left (1) 4721950790X Modulator Valve-Right (1) 9730110240X Relay Valve 5.5 psi	Bayonet	ABS5
4725002030X	Reman. Rear Axle Valve Pack with ATC Valve	5.5 psi	4S/4M 6S/4M	(1) 4721950820X Modulator Valve-Left (1) 4721950830X Modulator Valve-Right (1) 9730110260X Relay Valve 5.5 psi (1) 4721707910X ATC Valve	Screw In	ABS5
4725002220X	Reman. Rear Axle Valve Pack with ATC Valve	4 psi	4S/4M 6S/4M	(1) 4721950780X Modulator Valve-Left (1) 4721950790X Modulator Valve-Right (1) 9730110250X Relay Valve 4 psi (1) 4721707970X ATC Valve	Bayonet	ABS5
4725002230X	Reman. Rear Axle Valve Pack with ATC Valve	5.5 psi	4S/4M 6S/4M	(1) 4721950780X Modulator Valve-Left (1) 4721950790X Modulator Valve-Right (1) 9730110260X Relay Valve 5.5 psi (1) 4721707970X ATC Valve	Bayonet	ABS5
4725002240X	Reman. Rear Axle Valve Pack with ATC Valve	4 psi	6S/6M	(1) 4721950780X Modulator Valve-Left (1) 4721950790X Modulator Valve-Right (1) 9730110270X Relay Valve 4 psi (1) 4721707970X ATC Valve	Bayonet	ABS5
4725002250X	Reman. Rear Axle Valve Pack with ATC Valve	5.5 psi	6S/6M	(1) 4721950780X Modulator Valve-Left (1) 4721950790X Modulator Valve-Right (1) 9730110280X Relay Valve 5.5 psi (1) 4721707970X ATC Valve	Bayonet	ABS5

Competitive (Remanufactured)

Meritor WABCO Style Relay Valve for Valve Pack



Specifications:

Application Rear Axle ABS Valve Packs

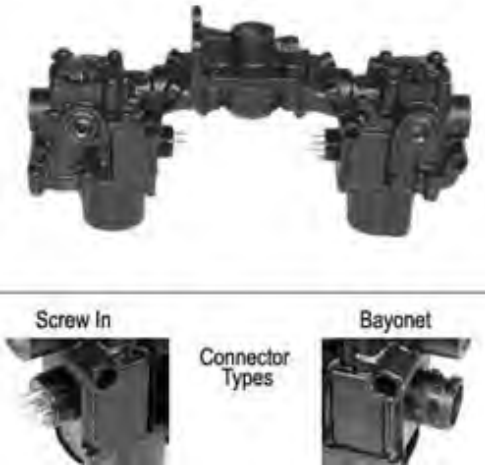
Notes:

- 1) Each individual valve includes (2) o-rings, (4) mounting bolts and grease pack.

SKU#	Product Description	Crack Pressure	System Configuration	Control (A)	Supply (B)	Delivery (C)	Delivery (D)	Core Group
9730110210X	Reman. Service Brake Relay Valve for Valve Pack	4 psi	4S/4M or 6S/4M	1/4" - 18 NPTF	1/2" - 14 NPTF	3/8" - 18 NPTF	N/A	ABS11
9730110220X	Reman. Service Brake Relay Valve for Valve Pack	5.5 psi	4S/4M or 6S/4M	1/4" - 18 NPTF	1/2" - 14 NPTF	3/8" - 18 NPTF	N/A	ABS11
9730110230X	Reman. Relay Valve for Valve Pack	4 psi	6S/6M	1/4" - 18 NPTF	1/2" - 14 NPTF	3/8" - 18 NPTF	3/8" - 18 NPTF	ABS11
9730110240X	Reman. Service Brake Relay Valve for Valve Pack	5.5 psi	6S/6M	1/4" - 18 NPTF	1/2" - 14 NPTF	3/8" - 18 NPTF	3/8" - 18 NPTF	ABS11
9730110250X	Reman. Service Brake Relay Valve for Valve Pack	4 psi	4S/4M or 6S/4M	non-threaded	non-threaded	3/8" - 18 NPTF	N/A	ABS11
9730110260X	Reman. Service Brake Relay Valve for Valve Pack	5.5 psi	4S/4M or 6S/4M	non-threaded	non-threaded	3/8" - 18 NPTF	N/A	ABS11
9730110270X	Reman. Relay Valve for Valve Pack	4 psi	6S/6M	non-threaded	non-threaded	3/8" - 18 NPTF	3/8" - 18 NPTF	ABS11
9730110280X	Reman. Relay Valve for Valve Pack	5.5 psi	6S/6M	non-threaded	non-threaded	3/8" - 18 NPTF	3/8" - 18 NPTF	ABS11

Competitive (Remanufactured)

Meritor WABCO Style Front Axle Valve Packs



Features:

- Combines two ABS modulator valves and one quick release valve
- Usually attached to a frame cross-member
- Compatible with C, D and E versions of Meritor/WABCO ECUs

Specifications:

Voltage 12
Modulator Valve Ports 1/2" - 14 NPT
Application Truck/Tractor/Bus

Notes:

- 1) Use the following converter cables to switch connector styles:
 Screw to Bayonet **8946011322K**
 Bayonet to Screw **8946011332K**

SKU#	Product Description	Crack Pressure	System Configuration	Valve Package Contains	Connector Type	Core Group
4725003000X	Reman. Front Axle Valve Pack	1 psi	Various	(1) 4721950800X Modulator Valve-Left (1) 4721950810X Modulator Valve-Right (1) 9735001040X Quick Release Valve 1 psi	Screw In	ABS13
4725003010X	Reman. Front Axle Valve Pack	3 - 4 psi	Various	(1) 4721950800X Modulator Valve-Left (1) 4721950810X Modulator Valve-Right (1) 9735001050X Quick Release Valve 3 - 4 psi	Screw In	ABS13
4725003020X	Reman. Front Axle Valve Pack	6 - 8 psi	Various	(1) 4721950800X Modulator Valve-Left (1) 4721950810X Modulator Valve-Right (1) 9735001060X Quick Release Valve 6 - 8 psi	Screw In	ABS13
4725003200X	Reman. Front Axle Valve Pack	1 psi	Various	(1) 4721950760X Modulator Valve-Left (1) 4721950770X Modulator Valve-Right (1) 9735001040X Quick Release Valve 1 psi	Bayonet	ABS13
4725003210X	Reman. Front Axle Valve Pack	3 - 4 psi	Various	(1) 4721950760X Modulator Valve-Left (1) 4721950770X Modulator Valve-Right (1) 9735001050X Quick Release Valve 3 - 4 psi	Bayonet	ABS13
4725003220X	Reman. Front Axle Valve Pack	6 - 8 psi	Various	(1) 4721950760X Modulator Valve-Left (1) 4721950770X Modulator Valve-Right (1) 9735001060X Quick Release Valve 6 - 8 psi	Bayonet	ABS13

Competitive (Remanufactured)

Meritor WABCO Style Quick Release Valve for Valve Pack



Specifications:

Application Front Axle ABS Valve Packs

Notes:

- 1) Each individual valve includes (2) o-rings, (4) mounting bolts and grease pack.

SKU#	Product Description	Crack Pressure	System Configuration	Supply	Core Group
9735001040X	Reman. Quick Release Valve for Valve Pack	1 psi	All Steer Axle Config.	1/2" - 14 NPTF	ABS12
9735001050X	Reman. Quick Release Valve for Valve Pack	3 - 4 psi	All Steer Axle Config.	1/2" - 14 NPTF	ABS12
9735001060X	Reman. Quick Release Valve for Valve Pack	6 - 8 psi	All Steer Axle Config.	1/2" - 14 NPTF	ABS12

Competitive (Remanufactured)

Meritor WABCO Style Modulator Valves



Features:

- Regulates air pressure to each ABS controlled brake
- Compatible with all versions of Meritor WABCO ECUs

Specifications:

Voltage 12
Modulator Valve Ports 1/2" - 14 NPT
Application Truck/Tractor/Bus

Notes:

- 1) Each individual modulator valve includes (1) o-ring, (2) mounting bolts and grease pack.



SKU#	Product Description	System Configuration	Connector Type	Core Group
4721950050X	Reman. Modulator Valve - In Line Style	One Delivery 180° from Supply	Screw In	ABS1
4721950520X	Reman. Modulator Valve - In Line Style	One Delivery 180° from Supply	Bayonet	ABS1
4721950760X	Reman. Modulator Valve - Left	4S/4M	Bayonet	ABS7
4721950770X	Reman. Modulator Valve - Right	4S/4M	Bayonet	ABS7
4721950780X	Reman. Modulator Valve - Left	4S/4M, 6S/4M or 6S/6M	Bayonet	ABS7
4721950790X	Reman. Modulator Valve - Right	4S/4M, 6S/4M or 6S/6M	Bayonet	ABS7
4721950800X	Reman. Modulator Valve - Left	4S/4M	Screw In	ABS7
4721950810X	Reman. Modulator Valve - Right	4S/4M	Screw In	ABS7
4721950820X	Reman. Modulator Valve - Left	4S/4M, 6S/4M or 6S/6M	Screw In	ABS7
4721950830X	Reman. Modulator Valve - Right	4S/4M, 6S/4M or 6S/6M	Screw In	ABS7

Competitive (Remanufactured)

Meritor WABCO Style ATC Valve



Connector Types

Screw In



Bayonet



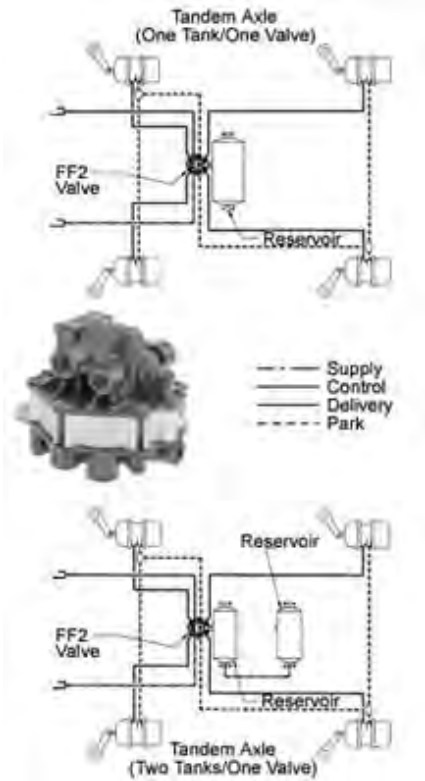
Specifications:

Voltage 12

SKU#	Product Description	Connector Type	System Configuration	Core Group
4721707910X	Reman. Automatic Traction Control Valve	Screw In	Compatible with Version D & E ECU's	ABS15
4721707970X	Reman. Automatic Traction Control Valve	Bayonet	Compatible with Version D & E ECU's	ABS15

Haldex (New/Remanufactured)

FF2 – Full Function Valves



Features:

- Single valve system – easy to install, maintain and troubleshoot.
- Built-in pressure protection and anti-compounding functions:
 - FMVSS-121 compliant.
 - Eliminates broken foundation components caused by compounding of spring brake.
- Space age engineering grade composites:
 - Resists corrosion.
 - Lighter and more durable than aluminum.
- Built-in service and spring brake quick release.
 - Prompt application of spring brakes.
 - Quick release of service brakes.
- Heavy wall mounting nipple is treated to resist corrosion and withstand severe duty applications.
- Service brake priority ensures air tank pressure is sufficient to stop vehicle when spring brakes are first released.
- Can be used with single or twin air tanks.
- Valve combines a pressure protection valve, two one-way check valves, spring brake valve with quick release, and a four port relay valve.

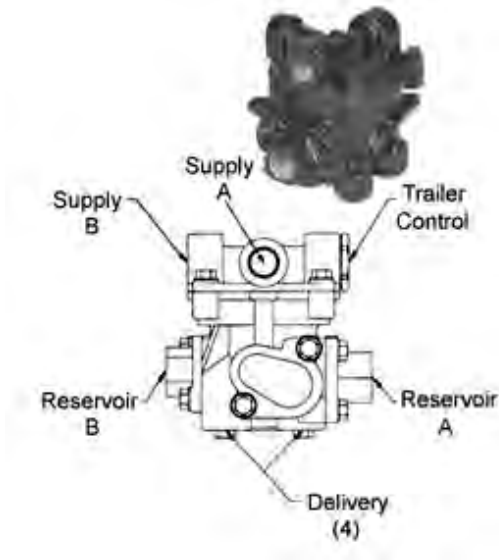
Specifications:

Approximate Weight 3 lbs.

SKU#	Product Description	Crack Press.	Res.	Cont.	Sup.	Spring Brake	Del. (4)	OEM Part Number	Core Group
KN28600	FF2 – Full Function Trailer Valve	3.0 PSI	3/4"	1/4"	3/8"	2 @ 3/8"	3/8"	N4304AC	-
KN28600RX	Remanufactured FF2 – Full Function Trailer Valve – CoreFree ^Å ™	3.0 PSI	3/4"	1/4"	3/8"	2 @ 3/8"	3/8"	N4304AC	-
KN28600X	Remanufactured FF2 – Full Function Trailer Valve	3.0 PSI	3/4"	1/4"	3/8"	2 @ 3/8"	3/8"	N4304AC	228
KN28601	FF2 – Full Function Trailer Valve	3.0 PSI	1/2"	1/4"	3/8"	2 @ 3/8"	3/8"	N4304AB	-
KN28601RX	Remanufactured FF2 – Full Function Trailer Valve – CoreFree ^Å ™	3.0 PSI	1/2"	1/4"	3/8"	2 @ 3/8"	3/8"	N4304AB	-
KN28601X	Remanufactured FF2 – Full Function Trailer Valve	3.0 PSI	1/2"	1/4"	3/8"	2 @ 3/8"	3/8"	N4304AB	228
KN28602	FF2 – Full Function Trailer Valve	5.0 PSI	3/4"	1/4"	3/8"	2 @ 3/8"	3/8"	N4304AE	-
KN28603	FF2 – Full Function Trailer Valve	5.0 PSI	1/2"	1/4"	3/8"	2 @ 3/8"	3/8"	N4304AD	-

Haldex (New/Remanufactured)

RT4 Multi-Function Trailer Valves



Features:

- Meets all FMVSS-121 trailer requirements for spring brake control and other regulations.
- Used on trailers to control both parking and emergency brake functions.
- Applies emergency (parking) brakes upon loss of trailer supply (emergency) line pressure.
- Controls reservoir charging.
- Interchangeable with competitive units.

Specifications:

Approximate Weight 4.5 lbs.

Notes:

- 1) On KN26000X, KN26020 and KN26020X the trailer control port is over reservoir port A.
On KN26010 and KN26010X the trailer control port is over reservoir port B.
- 2) Repair Kit use part number **RN10JM**.

SKU#	Product Description	Trlr. Sup. (A)	Trlr. Sup. (B)	Trlr. Cont.	Res. (A)	Res. (B)	Del. (4)	PPV Closing Press.	Notes	OEM Part Number	Core Group
KN26000RX	Remanufactured RT4 Multi-Function CoreFree ^Å ™	3/8"	3/8"	3/8"	1/2"	3/8"	3/8"	55 PSI	Cover as shown	-	-
KN26000X	Remanufactured RT4 Multi-Function	3/8"	3/8"	3/8"	1/2"	3/8"	3/8"	55 PSI	Cover as shown	-	225
KN26010	RT4 Multi-Function	3/8"	Plugged	3/8"	1/2"	3/8"	3/8"	70 PSI	-	N4305AA	-
KN26010X	Remanufactured RT4 Multi-Function	3/8"	Plugged	3/8"	1/2"	3/8"	3/8"	70 PSI	-	N4305AA	225
KN26020	RT4 Multi-Function	Plugged	3/8"	3/8"	1/2"	3/8"	3/8"	70 PSI	-	N4305A	-
KN26020X	Remanufactured RT4 Multi-Function	Plugged	3/8"	3/8"	1/2"	3/8"	3/8"	70 PSI	-	N4305A	225

Haldex (New/Remanufactured)

TBC – Trailer Brake Control



Features:

- Made of Engineering Grade Composite (EGC)
- Light weight and capable of withstanding high impact
- Resistant to corrosion and chemicals
- Integral anti-compounding
- Exhaust cover keeps road dirt and grime out
- Inlet filters to eliminate system contamination and promote long service life

Specifications:

Service Brake Priority Black
Cover

Spring Brake Priority White
Cover

Notes:

- 1) Internal pressure protection and check functions isolate reservoir failures to prevent automatic application of the trailer spring brakes.
- 2) Service Brake Priority applications require the tank to be filled prior to the spring brakes being released.
- 3) Spring Brake Priority applications do not require the tank to be filled prior to the spring brakes being released.

SKU#	Product Description	Supply Port	Control Port	Reservoir Port	Delivery Ports (4)	Notes
KN26110	New Trailer Brake Control (TBC) Valve	3/8"	3/8"	1/2"	3/8"	Service Brake Priority
KN26120	New Trailer Brake Control (TBC) Valve	3/8"	3/8"	1/2"	3/8"	Spring Brake Priority
KN26121	New Trailer Brake Control (TBC) Valve	3/8"	3/8"	1/2"	3/8"	Service Brake Priority PTC Fittings

Competitive (Remanufactured)

Bendix® SR-2



Features:

- Meets FMVSS-121 requirements.
- Used on trailers with dual air brake systems.
- Ability to release the spring brakes at least once prior to their application.

Notes:

- 1) Repair Kit use part number **287691K**.

SKU#	Product Description	Supply (1)	Delivery (4)	Reservoir (1)	Service	Exhaust	Approximate Weight	Notes	Core Group
102761RX	Remanufactured Bendix® SR-2 CoreFree™	1/4"	3/8"	3/4"	2 @ 1/4"	3/8"	3.0 lbs.	-	-
102761X	Remanufactured Bendix® SR-2	1/4"	3/8"	3/4"	2 @ 1/4"	3/8"	3.0 lbs.	-	117SR4
103061RX	Remanufactured Bendix® SR-2 CoreFree™	1/4"	3/8"	1/2"	2 @ 1/4"	3/8"	2.8 lbs.	-	-
103061X	Remanufactured Bendix® SR-2	1/4"	3/8"	1/2"	2 @ 1/4"	3/8"	2.8 lbs.	-	117SR4
287376RX	Remanufactured Bendix® SR-2 CoreFree™	1/4"	3/8"	3/4"	1 @ 1/4"	3/8"	1.7 lbs.	Does not have a Trailer Service Port for Anti-Compounding	-
287376X	Remanufactured Bendix® SR-2	1/4"	3/8"	3/4"	1 @ 1/4"	3/8"	1.7 lbs.	Does not have a Trailer Service Port for Anti-Compounding	117SR4

Competitive (Remanufactured)

Bendix® SR-4



Features:

- Meets FMVSS-121 requirements.
- Used on trailers to control both parking and emergency brake functions.

Notes:

- 1) Repair Kit use part number **102048K**.

SKU#	Product Description	Supply	Delivery	Reservoir	Service	Approx. Weight	Notes	Core Group
101112RX	Remanufactured Bendix® SR-4 CoreFree™	1/4"	4 @ 3/8" 1 @ 1/4"	3/4"	1/4"	2.9 lbs.	Reservoir Male Connector Port - 3/4"	-
101112X	Remanufactured Bendix® SR-4	1/4"	4 @ 3/8" 1 @ 1/4"	3/4"	1/4"	2.9 lbs.	Reservoir Male Connector Port - 3/4"	117SR4
101622RX	Remanufactured Bendix® SR-4 CoreFree™	1/4"	4 @ 3/8" 1 @ 1/4"	3/4"	1/4"	3.4 lbs.	Reservoir Male Connector Port - 1/2"	-
101622X	Remanufactured Bendix® SR-4	1/4"	4 @ 3/8" 1 @ 1/4"	3/4"	1/4"	3.4 lbs.	Reservoir Male Connector Port - 1/2"	117SR4

Competitive (Remanufactured)

Bendix® SR-5 with Anti-Compounding



Features:

- Meets FMVSS-121 requirements.
- Used on trailers with dual air brake systems.
- Permits the use of a single reservoir on the trailer.

Specifications:

Approximate Weight 3 lbs.

Notes:

- 1) Repair kit not available.

SKU#	Product Description	Supply (1)	Delivery (4)	Reservoir (1)	Service (2)	Core Group
65437RX	Remanufactured Bendix® SR-5 with Anti-Compounding – CoreFree™	1/4"	3/8"	3/4"	1/4"	-
65437X	Remanufactured Bendix® SR-5 with Anti-Compounding	1/4"	3/8"	3/4"	1/4"	117SR4
65439RX	Remanufactured Bendix® SR-5 with Anti-Compounding – CoreFree™	1/4"	3/8"	1/2"	1/4"	-
65439X	Remanufactured Bendix® SR-5 with Anti-Compounding	1/4"	3/8"	1/2"	1/4"	117SR4

Competitive (Remanufactured)

Sealco Brake Control Valve



Features:

- Designed for use with a single reservoir on a typical single or tandem axle trailer.

Specifications:

Approximate Weight 2 lbs.

SKU#	Product Description	Supply Port (1)	Control Port (1)	Reservoir Port (1)	Delivery Ports (4)	Core Group
110700X	Remanufactured Sealco Spring Brake Control Valve	3/8"	3/8"	1/2"	3/8"	210

Competitive (Remanufactured)

Sealco Ratio Relay



Features:

- Meets FMVSS-121 requirements.
- Used on trailers to control both parking and emergency brake functions.

Notes:

- 1) Repair Kit not available.

SKU#	Product Description	Supply	Delivery (4)	Reservoir (A)	Reservoir (B)	Control	Approx. Weight	Core Group
110170RX	Remanufactured Sealco Ratio Relay CoreFree™	3/8"	3/8"	1/2"	1/2"	3/8"	3.1 lbs.	-
110170X	Remanufactured Sealco Ratio Relay	3/8"	3/8"	1/2"	1/2"	3/8"	3.1 lbs.	210
110171X	Reman. Sealco Ratio Relay - Protected Reservoir 90° Cover Plate Orientation	3/8"	3/8"	1/2"	3/8"	3/8"	3.9 lbs.	210
110191X	Remanufactured Sealco Ratio Relay	3/8"	3/8"	3/8"	1/2"	3/8"	3.6 lbs.	210
110310X	Remanufactured Sealco Ratio Relay	3/8"	3/8"	3/8"	1/2"	3/8"	3.7 lbs.	210
110315X	Remanufactured Sealco Ratio Relay	3/8"	3/8"	1/2"	3/8"	3/8"	4.0 lbs.	210
110500X	Remanufactured Sealco Ratio Relay - Spring Brake Priority	3/8"	3/8"	1/2"	-	3/8"	4.0 lbs.	210

Competitive (Remanufactured)

Sealco Ratio Relay with Anti-Compounding



Features:

- Meets FMVSS-121 requirements.
- Used on trailers to control both parking and emergency brake functions.

Notes:

- 1) Repair Kit not available.

SKU#	Product Description	Sup. (2)	Del. (4)	Res. (1)	Service Res. (2)	Approx. Weight	Notes	Core Group
110147X	Reman. Sealco Ratio Relay with Anti-Compounding	3/8"	3/8"	3/4"	3/8"	4.9 lbs.	with Nipple	210
110148X	Reman. Sealco Ratio Relay with Anti-Compounding	3/8"	3/8"	3/4"	3/8"	5.0 lbs.	-	210

Competitive (Remanufactured)

TRAMEC Spring Brake Valve



51301X - 51301RX

51321X - 51321RX

Features:

- Prevent Spring Brake Drag
- Use a Single Air Tank – allows the elimination of the protected reservoir
- Small Size is Gentle on Tanks, weigh less than two pounds
- Easy Installation & Conversion from Old Systems
- Fully Compatible with Anti-Lock Systems

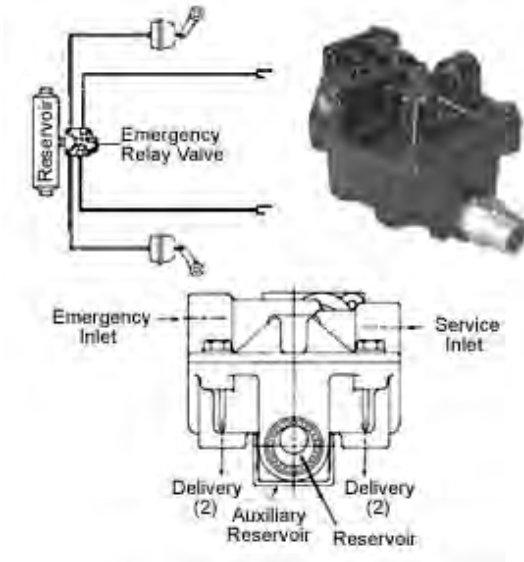
Notes:

- 1) TRAMEC Spring Brake Valves (TEV & STEV Valves) provide trailer spring brake control and gladhand pressure protection as required by DOT 121.

SKU#	Product Description	Reservoir	Delivery	Control	Supply	Priority	Core Group
51301RX	Remanufactured TRAMEC Trailer Emergency Valve (TEV) – CoreFree™	3/4 NPT	3/8 NPT	1/4 NPT	1/4 NPT	Spring Brake	-
51321RX	Remanufactured TRAMEC Sensing Trailer Emergency Valve (STEV) – CoreFree™	3/4 NPT	3/8 NPT	1/4 NPT	1/4 NPT	Service Brake	-

Haldex (New/Remanufactured)

Emergency Relay Valve (4 Port)



Features:

- Suitable for pre-121 trailers, converter dollies, or exempt trailers.
- **KN30100** has automatic bleed down feature.

Specifications:

Approximate Weight 3 lbs.

Notes:

- 1) Repair Kit use part number **RN10HL**.
- 2) **KN30100** and **KN30100X** has 3/8"-18 auxiliary reservoir port on bottom of valve drilled and tapped for use in **air hydraulic systems**. Do not use them to control spring brakes.

SKU#	Product Description	Serv. Inlet	Emer. Inlet	Del. (4)	Aux. Res.	Res.	Crack Pressure	Remarks	OEM Part Number	Core Group
KN30100	Emergency Relay Valve	1/4"	1/4"	1/4"	Plugged	3/4"	3.0 PSI	See Notes	N4301A	-
KN30100X	Remanufactured Emergency Relay Valve	1/4"	1/4"	1/4"	Plugged	3/4"	4.5Å± 1 PSI	See Notes	N4301A	225
KN30200	Emergency Relay Valve	3/8"	3/8"	3/8"	1/2"	Plugged	3.0 PSI	Non-Charging	N4301BA	-
KN30200X	Remanufactured Emergency Relay Valve	3/8"	3/8"	3/8"	1/2"	Plugged	4.5Å± 1 PSI	Non-Charging	N4301BA	225
KN30300	Emergency Relay Valve	1/4"	1/4"	1/4"	Plugged	3/4" with Nipple	3.0 PSI	Charging	N4301AA	-
KN30300RX	Remanufactured Emergency Relay Valve - CoreFreeÅ™	1/4"	1/4"	1/4"	Plugged	3/4" with Nipple	4.5Å± 1 PSI	Charging	N4301AA	-
KN30300X	Remanufactured Emergency Relay Valve	1/4"	1/4"	1/4"	Plugged	3/4" with Nipple	4.5Å± 1 PSI	Charging	N4301AA	225
KN30400	Emergency Relay Valve	1/4"	1/4"	3/8"	Plugged	3/4" with Nipple, Female	3.0 PSI	Charging	N4301CB	-
KN30400RX	Remanufactured Emergency Relay Valve - CoreFreeÅ™	1/4"	1/4"	3/8"	Plugged	3/4" with Nipple, Female	4.5Å± 1 PSI	Charging	N4301CB	-
KN30400X	Remanufactured Emergency Relay Valve	1/4"	1/4"	3/8"	Plugged	3/4" with Nipple, Female	4.5Å± 1 PSI	Charging	N4301CB	225

Competitive (Remanufactured)

Bendix® R-7



Features:

- Will modulate the spring brakes through application of the foot valve if rear axle service brake pressure is lost.
- 2-port delivery.

Specifications:

Approximate Weight 2.8 lbs.

Notes:

- 1) Repair Kit use part number **283861K**.

SKU#	Product Description	Supply (1)	Delivery (2)	Control (1)	Balance (1)	Release Pressure	Core Group
103081RX	Remanufactured Bendix® R-7 Modulating – CoreFree™	3/8"	3/8"	1/4"	1/4"	95 PSI	-
103081X	Remanufactured Bendix® R-7 Modulating	3/8"	3/8"	1/4"	1/4"	95 PSI	117SR4
283932RX	Remanufactured Bendix® R-7 Modulating – CoreFree™	3/8"	3/8"	1/4"	1/4"	85 PSI	-
283932X	Remanufactured Bendix® R-7 Modulating	3/8"	3/8"	1/4"	1/4"	85 PSI	117SR4

Competitive (Remanufactured)

Bendix® RE-6



281865X Shown

Features:

- Dual function valve used on trailers.
- Used on pre-FMVSS-121 vehicles and off road applications.
- 4-port delivery.
- 284280X – Initial Emergency High Pressure Application.

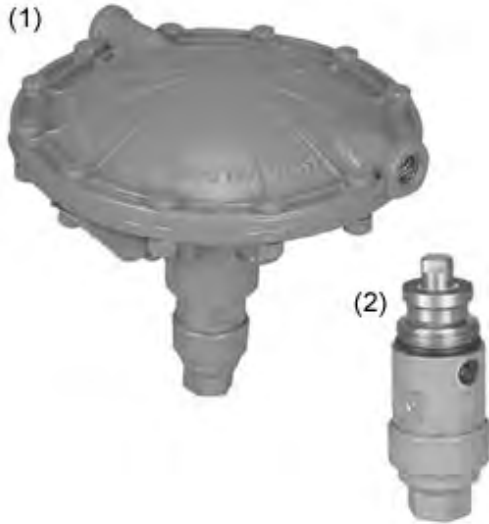
Notes:

- 1) Repair Kit use part number 282812K.

SKU#	Product Description	Supply	Delivery	Service	Emergency	Approx. Weight	Initial Emergency Application Pressure	Maximum Emergency Release Pressure	Core Group
101197RX	Remanufactured Bendix® RE-6 CoreFree™	1 @ 3/8" 1 @ 3/4"	4 @ 3/8"	1/4"	1/4"	2.7 lbs.	65± 5 PSI	110 PSI	-
101197X	Remanufactured Bendix® RE-6	1 @ 3/8" 1 @ 3/4"	4 @ 3/8"	1/4"	1/4"	2.7 lbs.	65± 5 PSI	110 PSI	129RE6
281865RX	Remanufactured Bendix® RE-6 CoreFree™	1 @ 3/8" 1 @ 3/4"	2 @ 1/4" 2 @ 3/8"	1/4"	1/4"	3.3 lbs.	50± 5 PSI	95 PSI	-
281865X	Remanufactured Bendix® RE-6	1 @ 3/8" 1 @ 3/4"	2 @ 1/4" 2 @ 3/8"	1/4"	1/4"	3.3 lbs.	50± 5 PSI	95 PSI	129RE6
284280X	Remanufactured Bendix® RE-6	1 @ 3/8" 1 @ 3/4"	2 @ 1/4" 2 @ 3/8"	1/4"	1/4"	3.5 lbs.	65± 5 PSI	110 PSI	129RE6

Competitive (Remanufactured)

Sealco Emergency Relay Valve



Features:

- Used on converter dollies and pre-1975 trailers.
- 4-port delivery.

Specifications:

Crack Pressure 1.5 PSI
Valve Approximate Weight 6 lbs.
Cartridge Approximate Weight .8 lbs.

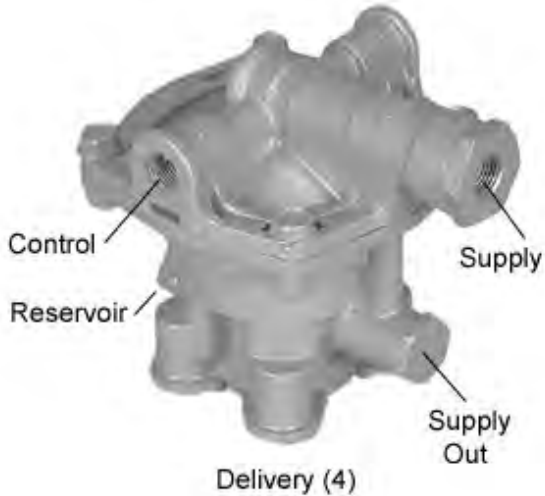
Notes:

- 1) Repair Kits not available.

SKU#	Product Description	Supply (1)	Reservoir (1)	Delivery (4)	Control (2)	Picture	Core Group
10005ARX	Remanufactured Sealco Cartridge for A1000SX - CoreFree™	-	-	-	-	2	-
10005AX	Remanufactured Sealco Cartridge for A1000SX	-	-	-	-	2	209
A1000SX	Remanufactured Sealco Emergency Relay Valve	1/4"	1/2"	1/4"	1/4"	1	210

Competitive (Remanufactured)

Sealco Ratio



Features:

- 4-port delivery.

Specifications:

Crack Pressure 4.5 PSI
Approximate Weight 5.5 lbs.

Notes:

- 1) Repair Kit not available.

SKU#	Product Description	Supply	Reservoir	Delivery	Control	Supply Out	Notes	Application	Core Group
110200X	Remanufactured Sealco Ratio Emergency Relay Valve	1/4"	3/4"	3/8"	1/4"	-	Charging	pre-FMVSS-121 Trailers	210
110205X	Remanufactured Sealco Ratio Emergency Relay Valve	3/8"	3/4"	3/8"	3/8"	-	Charging	pre-FMVSS-121 Trailers	210
110338X	Remanufactured Sealco Ratio Emergency Relay Valve	3/8"	3/4"	3/8"	3/8"	3/8"	Replaces 110267X Non-Charging	Converter Dollies and pre-FMVSS-121 Trailers	210
110470X	Remanufactured Sealco Ratio Emergency Relay Valve	3/8"	3/4"	3/8"	3/8"	-	Charging	pre-FMVSS-121 Trailers	210

Competitive (New/Remanufactured)

Fuller Style Air Valves



SKU#	Product Description	All Ports	MFG. #	Notes	Wt.	Pic. #	Core Group
A3546X	Reman. Transmission Shift Valve	1/8" NPT	A3546	Includes Knob	.5 lbs.	2	331
A4688X	Reman. Range Selector Valve	1/8" NPT	A4688	-	3.2 lbs.	9	227
KN16743	Transmission Air Regulator	1/8" NPT	16743	Non-Adjustable Preset at 57-65 PSI	.1 lbs.	1	-
KN3546	Transmission Range Valve	1/8" NPT	A3546	Push-Pull Type Includes Knob	.4 lbs.	2	-
KN4487	Transmission Selector Valve	1/16" NPT	A4487	Chrome Plated Cover 3-Position Selector 9 Speed Transmission	.5 lbs.	6	-
KN4490	Transmission Selector Valve	1/16" NPT	A4490	Chrome Plated Cover 3-Position Selector 13 Speed Transmission	.6 lbs.	7	-
KN4491	Transmission Selector Valve	1/16" NPT	A4491	Chrome Plated Cover 2-Position Selector 9 Speed Transmission	.6 lbs.	8	-
KN4688	Transmission Slave Valve	1/8" NPT	A4688	Includes Mounting Gasket	3.2 lbs.	9	-
KN4900	Transmission Range Valve	1/16" NPT	A4900	"Rubberized" Shift Knob Cover Includes Upper and Lower Covers 13 Speed Transmission	.7 lbs.	3	-
KN5010	Transmission Range Valve	1/16" NPT	A5010	"Rubberized" Shift Knob Cover Includes Upper and Lower Covers 7-8-9 Speed Transmission	.8 lbs.	4	-
KN5015	Transmission Range Valve	1/16" NPT	A5015	"Rubberized Shift Knob Cover Includes Upper and Lower Covers 15 Speed Transmission	.8 lbs.	5	-

Competitive (New/Remanufactured)

Cummins Fuel Solenoid Valves



Specifications:

Approximate Weight 1 lb.

Notes:

- 1) Outlet not threaded.
- 2) Repair Kit not available.

SKU#	Product Description	Inlet	Outlet	Voltage	Core Group
6997312RX	Remanufactured Cummins Fuel Solenoid Valve – CoreFree™	1/8"	1/8"	12 Volt	-
6997312X	Remanufactured Cummins Fuel Solenoid Valve	1/8"	1/8"	12 Volt	333
6997324X	Remanufactured Cummins Fuel Solenoid Valve	1/8"	1/8"	24 Volt	333

Competitive (New/Remanufactured)

Williams® 3-Way Regulating Valve



Features:

- Used as general purpose pushrod actuated regulators.
- **RM9001X** not recommended for On-Highway applications.

Notes:

- 1) Repair Kit not available.

SKU#	Product Description	Supply	Delivery	Exhaust	Approx. Weight	Notes	Core Group
RM9001X	Remanufactured Williams® 3-Way Regulating Valve	1/4"-18 NPTF	1/4"-18 NPTF	1/4"-18 NPTF	2 lbs.	Without Boot/Nut Maximum Supply Pressure 200 PSI	WM406
RM90DX	Remanufactured Williams® WM-90 Series 3-Way Regulating Valve	1/4"-18 NPTF	1/4"-18 NPTF	1/4"-18 NPTF	2 lbs.	Maximum Supply Pressure 60 PSI	WM406

Competitive (New/Remanufactured)

Williams® Air Throttle Cylinder



Features:

- General purpose throttle cylinder

Notes:

- 1) Features levers with multiple holes for easy connection to a variety of throttle linkages.

SKU#	Product Description	Control	Lever Holes	Mounting Holes	Approx. Weight	Notes	Core Group
RM388X	Remanufactured Williams® WM-388 Series Air Throttle Cylinder	1/4"-18 NPTF	.25 Dia. (6)	.27 Dia. (2)	1.65 lbs.	Pressure Range 0-30/35 PSI	WM415

In-Line Filters



KN31025



KN31026

SKU#	Product Description	Remarks	Application	OEM Part Number
KN31025	Filter for Pressure Protection Valve	1 Female Port 1 Male Port (both 1/4")	90555396, 90555397, 90555398	N10083K
KN31026	In-Line Filter	2 Female Ports (1/4")	-	N10083F

Drain Cocks

(1)



(2)



(3)



SKU#	Product Description	Remarks	OEM Part Number	Picture
12110	Petcock Drain	1/4" NPT	10719	3
12112	Screw Type Drain Cock	1/4" NPT	N-15841-C	1
12116	Shutoff Drain Cock	1/2"-14 NPT Working Pressure 150 PSI	N13553E	2
A42150	Screw Type Drain Cock	1/8" NPT	AD42150	1

Knobs for Push-Pull Valves

Knob for Pin Type



Features:

- Engineering Grade Composite (EGC).

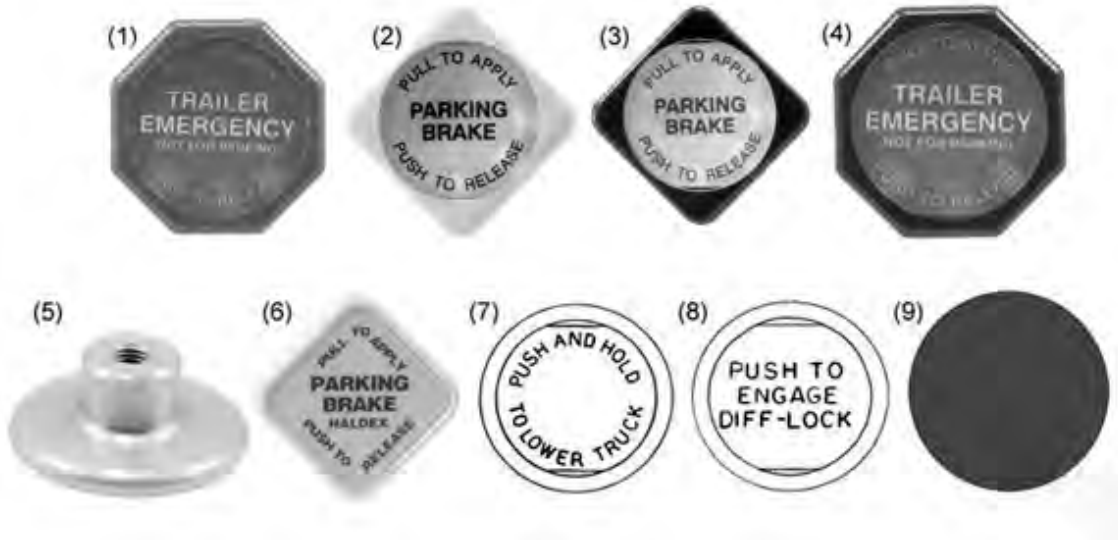
Notes:

- 1) Pin Included.

SKU#	Product Description	Mounting Shaft	Notes	OEM Part Number	Picture
12500	Knob for Pin Type Push-Pull Valve	5/16"	Red	1180350	2
KN20900	Trailer Supply Knob for Pin Type Push-Pull Valves	3/8"	RCCC Red	N14514AA	4
KN20901	Parking Brake Knob for Pin Type Push-Pull Valves	3/8"	RCCC Yellow	N14514AB	5
KN20902	Tractor Parking Knob for Pin Type Push-Pull Valves	3/8"	RCCC Blue	N14514AC	3
KN20903	System Brake Knob for Pin Type Push-Pull Valves	3/8"	RCCC Yellow	N14514AD	6

Knobs for Push-Pull Valves

Knob for Threaded Type



SKU#	Product Description	Description	OEM Part Number	Picture
12501	Knob for Threaded Type Push-Pull Valve	(EGC) Engineering Grade Composite RCCC Red Knob 1/4"- 20 thread	1155715	1
12503	Knob for Threaded Type Push-Pull Valve	(EGC) Engineering Grade Composite RCCC Yellow Knob 1/4"- 20 thread	1175003	2
12509	Knob for Threaded Type Push-Pull Valve	RCCC Yellow Knob 1/4"- 28 thread	1175013	3
12510	Trailer Emergency Knob for Threaded Type Push-Pull Valve	(EGC) Engineering Grade Composite RCCC Red Knob 1/4"- 28 thread	1155726	4
A25079	Knob for Threaded Type Push-Pull Valve	Plain Metal Knob 1/4"- 28 thread	AD25079	5
KN20904	Knob for Threaded Type Push-Pull Valve	RCCC Yellow 1/4"- 20 thread	N14514AT	6
KN20950	Knob for Threaded Type Push-Pull Valve	RCCC Black 1/4"- 28 thread	102684	7
KN20951	Knob for Threaded Type Push-Pull Valve	RCCC Black 1/4"- 28 thread	102684A	8
N14514	Knob for Threaded Type Push-Pull Valve	Plain Black Plastic Knob 1/4"- 28 thread	N14514	9

Knobs for Push-Pull Valves

Knob for Bendix® Threaded Type



SKU#	Product Description	Application	Notes
298817	Bendix® Trailer Air Supply Knob for Threaded Type Push-Pull Valves	Dash Brake Valve	Red - 5/8 thread
298818	Bendix® Parking Brake Knob for Threaded Type Push-Pull Valves	Dash Brake Valve	Yellow - 5/8 thread

Faceplate for Valves



SKU#	Product Description	Type	OEM Part Number	Picture
K145151	Faceplate for Flipper Valve	Inter Axle Differential	N14515A	1
K1451510	Faceplate for Push-Pull Valve	Emergency and Parking Brake	N14515AG	2
K1451511	Faceplate for Flipper Valve	Cab controlled fifth wheel	N14515L	3
K1451517	Faceplate for Push-Pull Valve	Push to Release/Pull to Set Brakes	N14515T	4
K145157	Faceplate for Flipper Valve	On-Off Plate	N14515G	5
K145158	Faceplate for Flipper Valve	Dry Road/Slippery Road	N14515H	6
N14515AB	Faceplate for Push-Pull Valve	Push for Emergency Release of Spring Brakes	N14515AB	7

Repair Kits

Relay/Emergency Relay Valve

Product Image Not Available

SKU#	Product Description	Application
102802K	Bendix® Relay Valve Repair Kit	R-12: 102165X, 102626X 103912X, 65303X R-12H: 103009X, 65125X R-14: 103028X, 103833X R-14H: 103010X, 103294X
103799K	Bendix® R-8P Relay Valve Repair Kit	R-8P: 287114X
109265K	Repair Kit for R-12P Pilot Relay Valve	R-12P: 109264X
229585K	Bendix® RE-4 Emergency Relay Valve Repair Kit	229434X
279553K	Bendix® RE-4 Emergency Relay Valve Repair Kit	277446X
280856K	Bendix® R-6 Relay Valve Repair Kit	R-6: 279180X, 279952X 280375X, 280651X, 283940X
282812K	Bendix® RE-6 Emergency Relay Valve Repair Kit	101197X, 281865X, 284280X
283861K	Bendix® R-7 Modulating Emergency Relay Valve Repair Kit	103081X, 283932X
287370K	Bendix® R-8 Relay Valve Repair Kit	R-8: 286370X, 286371X 287224X, 287260X
A75530	Plastic Cover for Four Port Emergency Relay Valve	KN30100, KN30100X, KN30200, KN30200X, KN30300, KN30300X, KN30400, KN30400X
RN10HB	Relay Valve Repair Kit	KN28080, KN28080X, KN28132, KN28132X, N30106C
RN10HK	Relay Valve Repair Kit	KN28041, KN28042, KN28043, KN28060, KN28060X, KN28061, KN28061X, KN28064, KN28065, KN28065X, KN28071, KN28071X, KN28077, KN28085, KN28085X, KN28086, KN28087, KN28088, KN28089, KN28131, KN28131X, KN28140, KN28140X, KN32080
RN10HL	Four Port Emergency Relay Valves Repair Kit	KN30100, KN30100X, KN30300, KN30300X, KN30400, KN30400X, KN30200, KN30200X
RN10HM	Relay Valve Repair Kit	KN28500, KN28500X, KN28510, KN28510X, KN28514, KN28514X, KN28520, KN28520X, KN28531, KN28531X
RN10HP	Relay Valve Repair Kit	A103600, A103600X, A86472, A86473, A86473X, A86477, A86477X
RN10JZ	Two Port with Anti-Compounding Dual Crack Pressure Valve Repair Kit	KN28054, KN28055

Repair Kits

Hand Control Valve

Product Image Not Available

SKU#	Product Description	Application
101805K	Repair Kit for Bendix® TW-1	229635X
102462D	Replacement Lever for Panel Mount Valve	KN20581
107216K	Maintenance Kit for Bendix® MV-3 Valve (Manifold)	65157X, 65159X, 65187X, 65192X
107217K	Shuttle Kit for Bendix® MV-3 Valve (Manifold)	65157X, 65159X, 65187X, 65192X
280857K	Repair Kit for Bendix® PP-3	279787X, 288746X, 289477X, 289512X
281126K	Repair Kit for Bendix® PP-1	104240X, 276566X, 276567X, 276569X, 281587X, 282499X, 287417X, 287600X, 287637X
281127K	Repair Kit for Bendix® PP-2	276462X, 280454X
287367K	Repair Kit for Bendix® PP-7 Trailer Supply	288239X, 288240X, 288241X, 288242X, 288721X
K200800	Handle Only for Double Flipper Style	KN20080
K200900	Handle Only for Double Flipper Style	KN20090, N15791H, N15791V
K201100	Handle Only for Double Flipper Style	KN20110, N15791T
KN20543	Handle for In-Column Mount Trailer Brake	KN20541, KN20542
KQ205450	Handle for In-Column Trailer Brake	KN20545
N15285M	Knob for Panel Mount Trailer Brake	3/8" - 24 thread Knob for KN20580, KN20590
RN10GJ	Repair Kit for Trailer Control Valve	KN20561, KN20561X, KN20562, KN20562X
RN31A	Repair Kit for Hostler Push-Pull Style	KN20010, KN20020, KN20015, KN20011
RN31BF	Repair Kit for Manifold Dash Valve	KN20601, KN20602, KN20603, KN20605, KN20606, KN20607, KN20608, KN20611, KN20612, KN20615, KN20616, KN20619, KN20620, KN20621, KN20622, KN20623, KN20624, KN20625, KN20626, KN20627, KN20628, KN20629
RN31BM	Trailer Spool Kit with Knob for Manifold Dash Valve	KN20601, KN20602, KN20603, KN20605, KN20606, KN20607, KN20608, KN20611, KN20612, KN20615, KN20616, KN20619, KN20620, KN20621, KN20622, KN20623, KN20624, KN20625, KN20626, KN20627, KN20628, KN20629
RN31BP	Tractor Spool Kit with Knob for Manifold Dash Valve	KN20601, KN20602, KN20603, KN20605, KN20606, KN20607, KN20608, KN20611, KN20612, KN20615, KN20616, KN20619, KN20620, KN20621, KN20622, KN20623, KN20624, KN20625, KN20626, KN20627, KN20628, KN20629
RN34F	Repair Kit for Double Flipper Style	KN20110
RN34H	Repair Kit for Double Flipper Style	KN20080, KN20090, N15791H, N15791T, N15791V

Repair Kits

Tractor Protection Valve

Product Image Not Available

SKU#	Product Description	Application
229418K	Bendix® TP-2 Tractor Protection Valve Repair Kit	227661X, 227672X, 283090X
280858K	Bendix® TP-3 Tractor Protection Valve Repair Kit	279000X, 279692X
283863K	Bendix® TP-4 Tractor Protection Valve Repair Kit	288301X
289061K	Bendix® TP-5 Tractor Protection Valve Repair Kit	288605X, 106941X
RN31BC	Tractor Protection Valve Repair Kit – Two-Line Manifold Style	KN34080X, KN34100X, KN34090X, KN34110, KN34110X, KN34101, KN34102, KN34121, KN34122, KN34103, KN34104, KN34111, KN34130

Repair Kits

Automatic Drain Valve

Product Image Not Available

SKU#	Product Description	Application	OEM Part Number
10027	5' Cable Kit for Drain Valve	KN21004, KN21008, KN24000, KN24000X, KN24001, KN24001X, KN24002, KN24003, KN24005	SN153
282134K	Bendix® DV-2 Automatic Drain Valve Repair Kit	281923X, 284795X	-
KN24100	Filter Assembly for Automatic Drain Valve	KN24000, KN24000X, KN24001, KN24001X, KN24002, KN24003, KN24005	1118260
RN10HH	Automatic Drain Valve Repair Kit	KN24000, KN24000X, KN24001, KN24001X, KN24002, KN24003, KN24005	-

Repair Kits

Miscellaneous

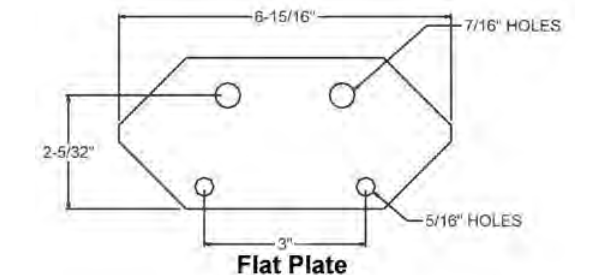
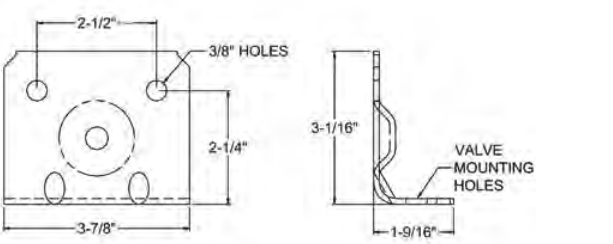
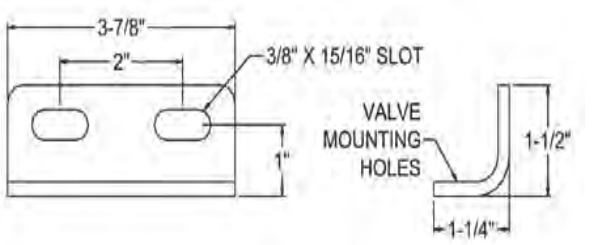
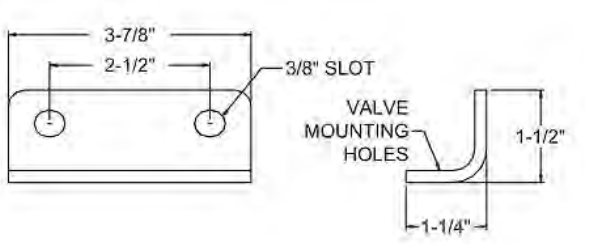
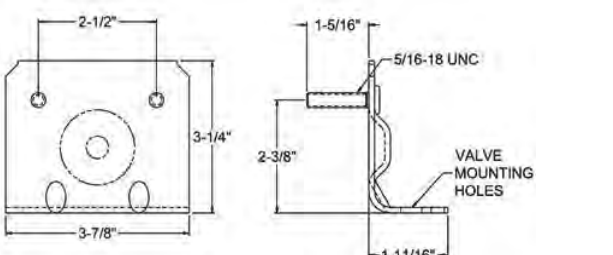
Product Image Not Available

SKU#	Product Description	Application
102048K	Bendix® SR-4 Trailer Spring Brake Valve Repair Kit	101112X, 101622X, 107539X
20837K	Foot Valve Repair Kit	N20837
276119K	E-3 Minor Kit for Bendix® Foot Valve	229501X, 277863X, 278998X
282098K	LQ-2 Limiting Quick Release Valve Repair Kit	229505X, 229507X, 229509X
287072K	Bendix® Tractor Spring Brake Valve Repair Kit	Bendix SR-1
287368K	Bendix® E-6 Dual Circuit Foot Valve Repair Kit	286171X
287691K	Bendix® SR-2 Trailer Spring Brake Valve Repair Kit	102761X, 103061X, 287376X
289352K	Bendix® E-7 / E-7 Dual Circuit Foot Valve Repair Kit	284760X, 101818X, 286773X, 286774X, 286775X, 287411X, 287564X, 288383X
289500K	Bendix® LQ-4 Ratio Valve Repair Kit	101311X, 289144X, 289148X
RN10BX	Single Circuit Foot Operated Valve Repair Kit	KN22100, KN22100X
RN10CH	One-Way Check Valve Repair Kit	KN23000, KN23010
RN10EV	Inversion Valve Repair Kit	KN28030, KN28030X, KN28034
RN10HW	Pressure Protection Valves with One-Way Check Repair Kit	KN31171
RN10HY	Pressure Protection Valves with One-Way Check Repair Kit	KN31170
RN10HZ	One-Way Check Valve Repair Kit	KN23060
RN10JM	RT4 Multifunction Trailer Valve Repair Kit	KN26010X, KN26020X, KN26000X
RN10JP	Dual Circuit Foot Control Valve Repair Kit	KN22150, KN22150X, KN22154
RN10JT	Inversion Valve Repair Kit	KN28032, KN28033
RN10Y	One-Way Check Valve Repair Kit	KN23040, KN23080
RN11V	Diaphragm Type Two-Way Check Valve Repair Kit	KN25060
RN11W	Shuttle Type Two-Way Check Valve Repair Kit	KN25080, KN25090, KN25100, KN25110, KN25120, KN25061
RN17Y	Adjustable Air Regulating Valves (Auxiliary Systems) Repair Kit	KN31040, KN31050 & KN31060
RN19AF	Quick Release Valve with Two-Way Check Repair Kit	KN32040, KN32041, KN32042, KN32043

Mounting Brackets

	<p align="center">Service Number: K202000</p>		
<p>Used on Valve Numbers:</p>			
<p>N30100AA N30100AB N30100AC N30100AD N30100AE N30100AF N30100AG N30100AH</p>	<p>N30100AJ N30100AK N30100AL N30100AN N30100AP N30100AR N30100AS N30100D</p>	<p>N30100E N30100KJ N30100LA N30100LB N30100LC N30100MA</p>	
	<p align="center">Service Number: K202001</p>		
<p>Used on Valve Numbers:</p>			
<p>N30100AA N30100AB N30100HC N30100HD N30100HE N30100HF</p>	<p>N30100HG N30100HH N30100HJ</p>		
	<p align="center">Service Number: K202002</p>		
<p>Used on Valve Numbers:</p>			
<p>N30106F</p>			
	<p align="center">Service Number: K202003</p>		
<p>Used on Valve Numbers:</p>			
<p>N30100JA N30100JB N30100KD N30100KG N30111A N30111B</p>			
<p align="center">Flat Plate</p>	<p align="center">Service Number: K202010</p>		
<p>Use on Valve Numbers:</p>			
<p>N30100JC N30100KE N30111C</p>			

Mounting Brackets

 <p style="text-align: center;">Flat Plate</p>	<p style="text-align: center;">Service Number: K202011</p> <p>Used on Valve Numbers:</p> <p>N30100KF</p>
	<p style="text-align: center;">Service Number: K202012</p> <p>Used on Valve Numbers:</p> <p>N30100KA N30100KB N30100KC</p>
	<p style="text-align: center;">Service Number: K202013</p> <p>Used on Valve Numbers:</p> <p>N30100JF</p>
	<p style="text-align: center;">Service Number: K202014</p> <p>Used on Valve Numbers:</p> <p>N30100JE N30100MB N30100MC N30100NA N30111F</p>
	<p style="text-align: center;">Service Number: K202015</p> <p>Use on Valve Numbers:</p> <p>N30100PA</p>

Mounting Configuration (from Schedule)

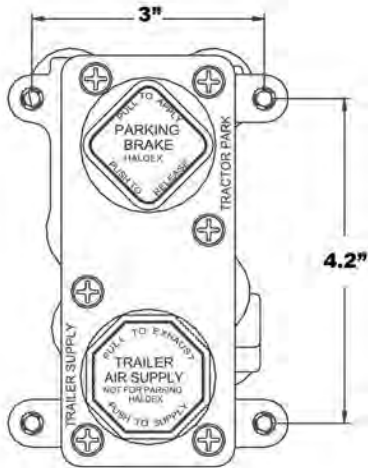


Figure 1
KN20616

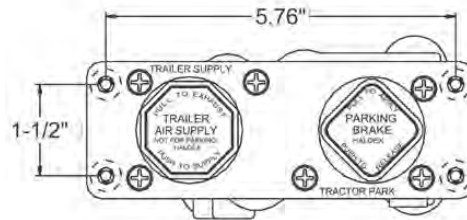


Figure II
KN20601, KN20602, KN20621

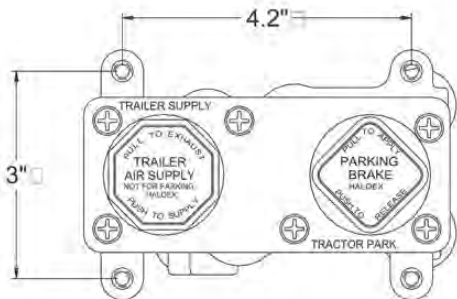
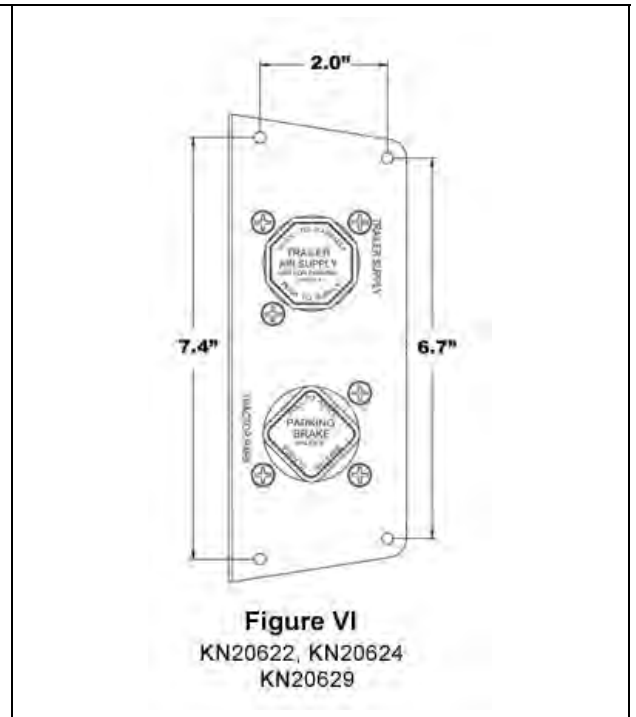
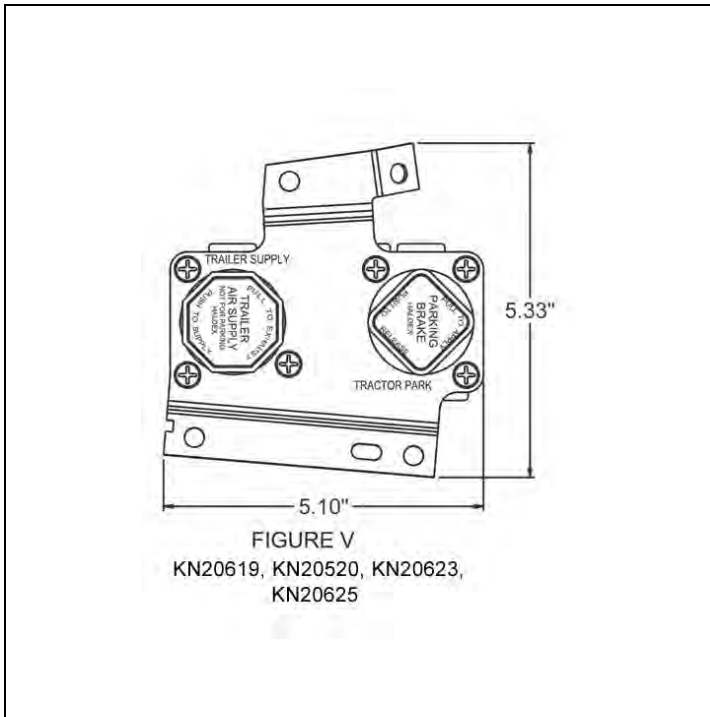


Figure III
KN20603, KN20606, KN20608,
KN20611, KN20612, KN20615
KN20626, KN20627, KN20628

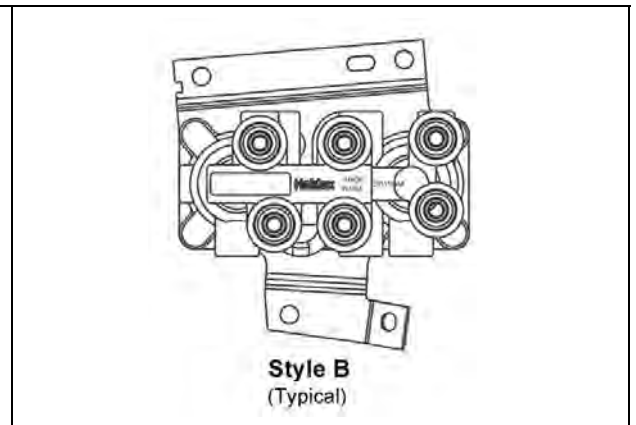
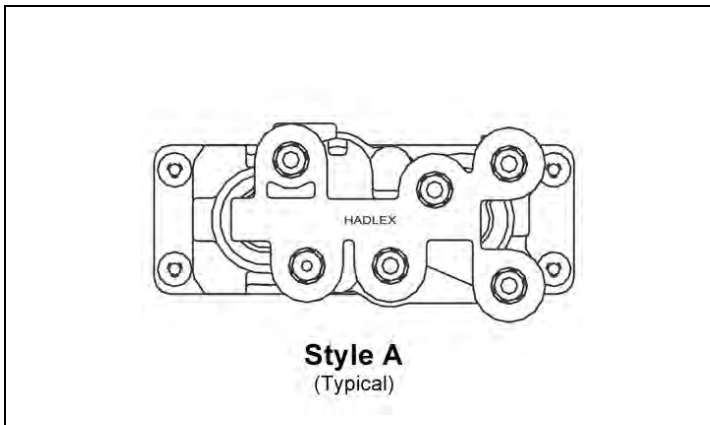


Figure IV
KN20605, KN20607

Mounting Configuration (from Schedule)



Body Styles (from Schedule)



This page left blank intentionally.

Haldex develops and provides reliable and innovative solutions with focus on brake and air suspension products to the global commercial vehicle industry.

Listed on the Stockholm Stock Exchange, Haldex has annual sales of approximately 3.9 billion SEK and employs about 2,200 people.

Disclaimer: The products described within this literature, including without limitation, product features, specifications, designs, availability and pricing are subject to change by Haldex and its subsidiaries at any time without notice.

This document and other information from Haldex, its subsidiaries and authorized distributors provide product and/or system options for further investigation by users having technical expertise. It is important that you analyze all aspects of your application and review the information concerning the product or system, in the current literature or catalog. Due to the variety of operating conditions and applications for these products or systems, the user, through their own analysis and testing, is solely responsible for making the final selection of the products and systems and assuring that all performance, safety and warning requirements are met.

©2015, Haldex AB - This material may contain Haldex trademarks and third party trademarks, trade names, corporate logos, graphics and emblems which are the property of their respective companies. The contents of this document may not be copied, distributed, adapted or displayed for commercial purposes or otherwise without prior written consent from Haldex.

Innovative Vehicle Solutions

Austria

Haldex Wien Ges.m.b.H.
Vienna
Tel.: +43 1 8 69 27 97
Fax: +43 1 8 69 27 97 27
E-Mail: info.at@haldex.com

Belgium

Haldex N.V.
Balegem
Tel.: +32 9 363 90 00
Fax: +32 9 363 90 09
E-Mail: info.be@haldex.com

Brazil

Haldex do Brasil Ind. E Com. Ltda.
São José dos Campos
Tel.: +55 12 3935 4000
Fax: +55 12 3935 4018
E-Mail: info.brasil@haldex.com

Canada

Haldex Ltd.
Cambridge, Ontario
Tel.: +1 519 621 6722
Fax: +1 519 621 3924
E-Mail: info.ca@haldex.com

China

Haldex Vehicle Products Co. Ltd.
Suzhou
Tel.: +86 512 8885 5301
Fax: +86 512 8765 6066
E-Mail: info.cn@haldex.com

France

Haldex Europe SAS
Weyersheim
Tel.: +33 3 88 68 22 00
Fax: +33 3 88 68 22 09
E-Mail: info.eur@haldex.com

Germany

Haldex Brake Products GmbH
Heidelberg
Tel.: +49 6 221 7030
Fax: +49 6 221 703400
E-Mail: info.de@haldex.com

Hungary

Haldex Hungary Kft.
Szentlőrincváta
Tel.: +36 29 631 400
Fax: +36 29 631 401
E-Mail: info.hu.eu@haldex.com

India

Haldex India Limited
Nasik
Tel.: +91 253 6699501
Fax: +91 253 2380729

Italy

Haldex Italia Srl.
Biassono
Tel.: +39 039 47 17 02
Fax: +39 039 27 54 309
E-Mail: info.it@haldex.com

Korea

Haldex Korea Ltd.
Seoul
Tel.: +82 2 2636 7545
Fax: +82 2 2636 7548
E-Mail: info.hkr@haldex.com

Mexico

Haldex de Mexico S.A. De C.V.
Monterrey
Tel.: +52 81 8156 9500
Fax: +52 81 8313 7090

Poland

Haldex Sp. z.o.o.
Praszka
Tel.: +48 34 350 11 00
Fax: +48 34 350 11 11
E-Mail: info.pl@haldex.com

Russia

OOO "Haldex RUS"
Moscow
Tel.: +7 495 747 59 56
Fax: +7 495 786 39 70
E-Mail: info.ru@haldex.com

Spain

Haldex España S.A.
Granollers
Tel.: +34 93 84 07 239
Fax: +34 93 84 91 218
E-Mail: info.es@haldex.com

Sweden

Haldex Brake Products AB
Landskrona
Tel.: +46 418 47 60 00
Fax: +46 418 47 60 01
E-Mail: info.se@haldex.com

United Kingdom

Haldex Ltd.
Newton Aycliffe
Tel.: +44 1325 310 110
Fax: +44 1325 311 834
E-Mail: info.gb@haldex.com

Haldex Brake Products Ltd.
MIRA Technology Park
Tel.: +44 2476 400 300
Fax: +44 2476 400 301
E-Mail: info.gb@haldex.com

USA

Haldex Brake Products Corp.
Kansas City
Tel.: +1 816 891 2470
Fax: +1 816 891 9447
E-Mail: info.us@haldex.com



www.haldex.com