



C A T A L O G 2 0 1 1

TABLE OF CONTENTS

Cylinders (Large Bore)	1
Cylinders (Hi-Lift).....	1
Cylinders (Tailgate Latch).....	2
Actuators	2
Hydraulic Valve Actuators.....	3
Valves	4
VM Series (Stack Valves)	6
Valves (AV-295 Series).....	8
Lift Axle Controls	9
P.T.O. Control Kits.....	9
Air Compressor KIT	9
AIRWAVE	10
Pedestals.....	12
Consoles.....	13
Miscellaneous.....	14
Winch Kits.....	15

HELPFUL INFORMATION

Ordering – Orders can be placed with us by phone, fax or email. Stock items should ship the same day if ordered and confirmed by 2pm CST.

Shipping – All orders will be shipped via APSCO, Inc.'s default method, UPS ground, with freight invoiced to the customer unless otherwise specified at the time of order. APSCO, Inc. facilitates drop shipments at no extra charge.

Returns – Unused, standard products maybe returned to APSCO, Inc. for full credit within 30 days of purchase. An RMA is required for all returns.

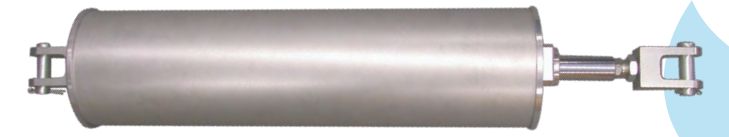
Quality – APSCO Inc's commitment to quality was recognized by becoming certified to ISO 9001-2000 in 2004. Our continued comittment to quality in all of our processes is reflected by our current certification ISO 9001-2008.

Warranty – All APSCO, Inc. products are warrantied for 1 year of service, but in no case more than 2 years beyond the original date of purchase. Contact us at +1.918.622.5600 for a full copy our warranty statement. An RMA is required for all warranty claims.

APSCO, Inc. reserves the right to change any of the above terms, policies or conditions without notice.

APSCO, Inc.
 8178 E 44th Street
 Tulsa, Ok. 74145
 voice +1.918.622.5600
 fax +1.918.628.2853
 sales@apscopower.com

CYLINDERS: LARGE BORE



C-0824-PK

TIE-ROD

PART #	BORE & STROKE	PORT SIZE	THREAD SIZE	WEIGHT LBS	PSI RATING	Force @ 100 PSI
C-9500	6" x 22"	0.5" NPT	1"-14	54	150 PSI	2825 LBS
C-9619	6" x 19"	0.5" NPT	1"-14	65	150 PSI	2825 LBS
C-9626	6" x 26"	0.5" NPT	1"-14	63	150 PSI	2825 LBS
C-9630	6" x 30"	0.5" NPT	1"-14	70	150 PSI	2825 LBS
C-9802-S	8" x 26"	0.5" NPT	1.25"-14	83	150 PSI	5025 LBS
C-9826	8" x 26"	0.5" NPT	1"-14	90	150 PSI	5025 LBS
C-9830	8" x 30"	0.5" NPT	1"-14	125	150 PSI	5025 LBS

ROUND

PART #	BORE & STROKE	PORT SIZE	THREAD SIZE	WEIGHT LBS	PSI RATING	Force @100 PSI
C-0424-PK	4" x 24"	0.375" NPT	1.25" FINE	21	150 PSI	1250 LBS
C-0724	7" x 24"	0.5" NPT	1.25" FINE	53	150 PSI	3485 LBS
C-0824	8" x 24"	0.5" NPT	1.25" FINE	56	150 PSI	5000 LBS

CYLINDERS: HI-LIFT



C-6624-PK-M

TIE-ROD

PART #	BORE & STROKE	PORT SIZE	THREAD SIZE	WEIGHT LBS	PSI RATING	Force @ 100 PSI
C-7421-C	4" x 20"	0.38" - 18 NPT	1"-14	26 LBS	150 PSI	1250 LBS
C-7424	4" x 24"	0.38" - 18 NPT	1"-14	37 LBS	150 PSI	1250 LBS
C-7426	4" x 26"	0.38" - 18 NPT	1"-14	40 LBS	150 PSI	1250 LBS
C-7428	4" x 28"	0.38" - 18 NPT	1"-14	42 LBS	150 PSI	1250 LBS
C-7403	4" x 30"	0.38" - 18 NPT	1"-14	44 LBS	150 PSI	1250 LBS
C-7432	4" x 32"	0.38" - 18 NPT	1"-14	48 LBS	150 PSI	1250 LBS
C-8020-A	5" x 20"	0.38" - 18 NPT	1"-14	32 LBS	150 PSI	1960 LBS
C-8024	5" x 24"	0.38" - 18 NPT	1"-14	47 LBS	150 PSI	1960 LBS
C-8030-A	5" x 30"	0.38" - 18 NPT	1"-14	40 LBS	150 PSI	1960 LBS
C-6224-PK-M	TWIN	0.38" - 18 NPT	1"-14	36 LBS	150 PSI	1920 LBS
(Patent Pending)	3.5" x 24"					

- Part # Suffixes
- E Electric/AirSolenoid
 - PK Pin and Clevis Kit
 - S Stainless Steel Piston Rod
 - C Composite Tubing
 - A Aluminium Tubing
 - M Mufflers
 - DM Direct Mount
 - F Fittings
 - 1 1" Pins
 - RP Round Plate
 - FC Flow Control

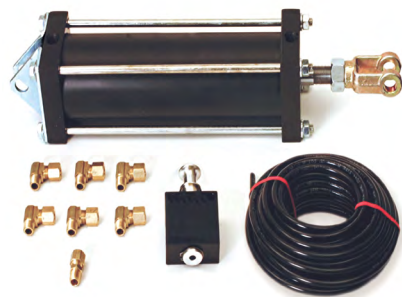
ROUND

PART #	BORE & STROKE	PORT SIZE	THREAD SIZE	WEIGHT LBS	PSI RATING	Force @ 100 PSI
C-0428-FC	4" x 28"	3/8" - 18 NPT	1"-14	24	150 PSI	1250 LBS
C-0430-PK-1	4" x 30"	3/8" - 18 NPT	1"-14	26	150 PSI	1250 LBS

CYLINDERS: TAILGATE LATCH

KITS - BORE & STROKE

PART #	DESCRIPTION	CYLINDER	VALVE
TG-5-8	2.50" x 8.00"	C-5070	V-8
TG-5-8-ES	2.50" x 8.00" (electric)	C-5070	VE-2
TG-6-6	3.50" x 6.00"	C-6057	V-8
TG-6-6-ES	3.50" x 6.00" (electric)	C-6057	VE-2
TG-6-8	3.50" x 8.00"	C-6089	V-8
TG-6-8-ES	3.50" x 8.00" (electric)	C-6089	VE-2



CYLINDERS

PART #	BORE SIZE	STROKE	PORT SIZE	ROD DIA	THREAD SIZE	PIN SIZE	FORCE @100 PSI	PIN TO PIN LENGTH
C-5026S	2.50"	6.00"	1/4" - 18	.625"	5/8"-18 NF	.50"	480 LBS	11.875"
C-5070-PK	2.50"	8.00"	1/4" - 18	.625"	5/8"-18 NF	.50"	480 LBS	14.50"
C-6057-PK	3.50"	6.00"	1/4" - 18	.750"	5/8"-18 NF	.50"	960 LBS	15.70"
C-6009-PK	3.50"	8.00"	1/4" - 18	.750"	5/8"-18 NF	.50"	960 LBS	17.50"
C-6011-PK	3.50"	8.00"	1/4" - 18	.750"	5/8"-18 NF	.50"	960 LBS	16.70"
C-6023-PK	3.50"	8.00"	1/4" - 18	.750"	5/8"-18 NF	.50"	960 LBS	14.69"
C-6059-PK	3.50"	8.00"	1/4" - 18	.750"	5/8"-18 NF	.50"	960 LBS	15.80"
C-6089-PK	3.50"	8.00"	1/4" - 18	.750"	5/8"-18 NF	.50"	960 LBS	16.875"

Part # Suffixes

- E Electric/AirSolenoid
- PK Pin and Clevis Kit
- S Stainless Steel Piston Rod
- C Composite Tubing
- A Aluminium Tubing
- M Mufflers
- DM Direct Mount
- F Fittings
- 1 1" Pins
- RP Round Plate
- FC Flow Control



HYDRAULIC VALVE ACTUATORS

DM Series | Non Metering

PART #	MANUFACTURER	APPLICATION
C-3520-DM	Parker (Commercial) Muncie	A20 60
C-3535-DM	Parker (Commercial) Muncie	A35 90
C-3525-DM	Parker (Gresen)	25P
C-3526-DM	Parker (Gresen) PRINCE	V20 20
C-3526-DMK4	Parker (Gresen)	V20-K4 FLOAT
C-3540-DM	Parker (Gresen)	V40
C-3542-DM	Parker (Gresen)	V42
C-3590-DM	Parker (Gresen)	V70/V90
HG-44*	Parker (Gresen)	440LCHA
HG-75*	Parker (Gresen)	DS-75
HGS-75*	Parker (Gresen)	S75/S100
C-3527-DM	Parker (Gresen)	V20 Alternative
C-3560-DM	Parker (Commercial / Kontak)	K-18
C-3522-DM	Rexroth	MP-18
C-3514-DM	Rexroth	M4-12
C-3570-DM	Cross	BA Series
C-3531-DM	Heil	031-6131
C-3551-DM	Prince	RD5100 MONOBlock RD5200 MONOBlock RD5300 MONOBlock
C-3578-DM	Prince	SV Series
C-3552-DM	Prince	DS-4A1E
C-3541-FD	Brevini	Friction Detent HPV41
C-3546-DM	Husco	6000 Series - 3/8"-24
C-3572-DM	Husco	SCX Series

* Indicates that actuator is supplied as part of a complete kit including control valves, tubing and fittings.



C-3520-DM



C-3522-DM



C-3525-DM



C-3542-DM



C-3835-DM



C-3820-DM

DM Series | Metering

PART #	MANUFACTURER	APPLICATION
C-3820-DM	Parker (Commercial)	A20
C-3835-DM	Parker (Commercial)	A35
C-3826-DM	Parker (Commercial)	V20
C-3841-DM	Brevini	HPV41
C-3845-DM	Husco	5000 Series / 5/16" - 24
C-3845-DM-CC	Husco	5000 Series / 3/8" - 24
C-3850-DM	Brevini	DCV50
C-3864-DM	Brevini	DCVMG
C-3880-DM	Brevini	DCV80
C-3832-DM	Sauer Danfoss	PVG 32
C-3872-DM	Husco	SCX Series

ACTUATORS

DUMP PUMP

Non-Metering

PART #	MANUFACTURER	APPLICATION
C-3505-DM	Parker (Commercial)	C101/102
	Muncie	E/E2XL
	Permco	DM640 / DMD25
C-3508-DM	Parker (Commercial)	G101/102
	Muncie	S2
C-3503-DM	Permco	DM400
C-2529	Williams	Series 4 (3 Bolts)
C-2533	Williams	Series 6, 7, 8 (4 bolts)

Metering

PART #	MANUFACTURER	APPLICATION
C-3805-DM	Parker (Commercial)	C101/102
	Muncie	E/E2XL
	Permco	DM640 / DMD25

VALVES



V-5-S

3-WAY

PART#	DESCRIPTION	ACTION	PORT	W	L	D	SUPPLY	CYL TYPE
VL-3	2-position, 3-way valve w/ 1/4" exhaust port	push pull	1/4"	1.75	4.50	1.00	150	S.A.
V-5-S	2-position, 3-way valve w/ (2) 10-32 thread mounting holes	push pull	1/8"	2.00	2.00	1.00	150	S.A.
V-55	Dual 2-position, 3-way valve	push pull	1/8"	3.50	2.00	1.00	150	S.A. or S.C.
V-555	Triple 2-position, 3-way valve	push pull	1/8"	1.50	4.50	2.00	150	S.A.
V-85	Dual 2-position, (1) 3-way (1) 4-way valve	push pull	1/8"	3.50	2.00	1.00	150	S.A. or D.A.

4-WAY

PART#	DESCRIPTION	ACTION	PORT	W	L	D	SUPPLY	CYL TYPE
VL-5	2-position, 4-way valve w/ 1/4" exhaust Port	push pull	1/4"	1.75	4.50	1.00	150	D.A.
V-85	Dual 2-position, (1) 3-way (1) 4-way valve	push pull	1/8"	3.50	2.00	1.00	150	S.A. or D.A.
V-8-S	2-position, 4-way valve w/ (2) 10-32 thread mounting holes	push pull	1/8"	2.00	2.00	1.00	150	D.A.
V-8-S-LK	2-position, 4-way valve w/ (2) 10-32 thread mounting holes and locking spool	push pull	1/8"	2.00	2.00	1.00	150	D.A.
V-88	Dual 2-position, 4-way valve	push pull	1/8"	2.00	2.00	1.00	150	D.C. or D.A.
V-38	Triple 2-position, 4-way valve	push pull	1/8"	1.50	4.00	2.00	150	D.A.
VN-44	4-way valve with center-position and 1/4" ports	push pull	1/4"	1.00	4.50	1.75	150	D.A.

TOGGLE VALVES

PART#	DESCRIPTION	ACTION	PORT	W	L	D	SUPPLY	CYL TYPE
VTS-1	3-position toggle valve, M/N/M	toggle	1/8"	1.50	3.00	0.75	125	S.C.
VTS-2	2-position, 4-way toggle valve	toggle	1/8"	0.50	1.75	1.25	125	D.A.
VTS-9	3-position toggle valve FD/FD/FD	toggle	1/8"	0.626	0.875	1.25	125	S.C.
VTS-11	3-position toggle valve FD/N/M	toggle	1/8"	0.625	0.875	1.25	125	S.C.
VTS-12	3-position toggle valve FD/N/M	toggle	1/8"	0.625	0.875	1.25	125	S.C.



VTS-1



VM-2-X

NEW VALVE: VM-2-X

- Replaces VM-2-A
- Improved Metering
- Increased Longevity
- Detented in "On" Position
- Dedicated Exhaust
- Multiple Mounting Options
- Field Adjustable.



VM-2-X

VALVES

SPECIALTY VALVES

PART#	DESCRIPTION	ACTION	PORT	W	L	D	SUPPLY	CYL TYPE
VM-2-X	Metering valve w/ rotating handle	lever	1/8"	2.50	7.25	1.75	150	S.A.
V-44-APSR	4-way spring return	air pilot	1/4"	1.75	1.00	4.00	150	D.A.
V-5-B	3-way limit valve for hydraulic telescopic cylinders	limit valve	1/8"	2.00	2.00	1.00	150	hydraulic
V-8-B	4-way limit valve for hydraulic telescopic cylinders	limit valve	1/8"	2.00	1.00	1.00	150	hydraulic
PP-470	Pressure Protection valve		1/4"				open @ 70 close @ 65 PSI	



PP-470

PART#	DESCRIPTION	ACTION	PORT	W	L	D	SUPPLY	CYL TYPE
VE-1	3-way, 2-position, high flow	solenoid valve. 12V V.D.C	1/4"	1.75	1.00	5.00	100	S.A
VE-2	4-way, 2-position	solenoid valve. 12V V.D.C	1/4"	1.50	1.00	4.75	100	D.A
VE-2-3W	3-way, 2-position	solenoid valve. 12V V.D.C	1/4"	1.50	1.00	4.75	100	D.A
VL-5-ES	4-way valve - push pull	solenoid valve. 12V V.D.C	1/4"	1.75	2.00	5.50	150	D.A



VL-5-ES

AIR ROCKER VALVES

PART#	DESCRIPTION	ACTION	PORT	W	L	D	SUPPLY	CYL TYPE
VR-10-A	air rocker switch.		1/4"				125	S.A
VR-9-S	air rocker switch. PTO engage/disengage w/ lock	rocker	1/4"				125	S.A



VR-9-AP

ELECTRIC ROCKER SWITCHES

PART#	DESCRIPTION	ACTION	APPLICATION
VR-15-BL	Electric rocker switch, blank	rocker	universal
VR-13-E	Electric momentary rocker switch. blank	rocker	universal
VR-14-EO	Electric momentary rocker switch. on/off	rocker	universal
VR-2-ET	Electric rocker switch. on/off	rocker	tailgate
VR-3-EH	Electric rocker switch. unlock/lock	rocker	highlift
VR-4-EV	Electric momentary rocker switch.	rocker	vibrator
VR-5-EP	Electric rocker switch. engage/disengage	rocker	electric PTO
VR-6-EST	Electric rocker switch	rocker	strobe
VR-7-EWL	Electric rocker switch	rocker	worklight
VR-8-EHL	Electric rocker switch. high/low	rocker	winch



VR-8-EHL

VM-SERIES

Our VM-Series valves can be stacked together using one common inlet and exhaust for multiple applications (banks). With the use of different offset handles, the stackable feature allows for a cleaner setup while also reducing labor costs. The valves are also available with heavy duty, powder coated consoles that can be customized to fit your unique requirements.



Determining your model and model number in just three steps:

6

1. Select Detent Option

Part #	Momentary	Neutral	Friction Detent
VM-7	M	N	M
VM-8	M	PD	M
VM-9	PD	PD	PD
VM-11	M	N	FD
VM-12	M	PD	PD
VM-13	FD	N	FD

M = Momentary
PD = Positive Detent
N = Neutral
FD = Friction Detent

2. Select Handle Offset

Offset	Suffix
0 Degree	N/A
20 Degree	- 20
35 Degree	- 35
45 Degree	- 45
55 Degree	- 55

* Note: VM-8 and VM-9 are available only with straight handle.

3. Select Electrical Option

Option	Suffix
None	N/A
Light Kit	- LK
On / Off Switch	- EO
Momentary Switch	- EM

Electrical Ratings *		
	On / Off	Momentary
Load		
Resistive	10A	10A
Inductive	5A	5A
Lamp	1A	3A
Motor	3A	N
Electrical Life (Cycles)		
	25,000	100,000
Seal		
	IP64	IP64

*Sea Level @ 28VDC or 115 VAC, 60/400Hz

1 → 2 → 3

VM-11 - 35 - LK

Example Part # VM-11-35-LK

Metering Valve with one position friction Detent, 35 degree offset handle and light kit

VM-SERIES

QUAD CONTROL - VM-10 ORDERING

1. Select Detent Option

Part #	Description
VM-10	Quad control valve - 4.33" square
VM-10-W	Quad control valve - Williams Plate
VM-10-C	Quad Control Valve - 4.25" Dia
VM-10-R	Quad Control Valve - 4.93" Dia

Visit <http://www.apscopower.com/support.aspx> for mounting dimensions

2. Select Electrical Option

Option	Suffix
None	N / A
Light Kit	- NR - LK
On / Off Switch	- NR - EO
Momentary Switch	- NR - EM
3-Position Momentary rocker	- NR - 3M



VM-10-R-NR-3M

1 → 2

VM-10-C - NR - LK

Example Part # VM-10-C-NR-LK

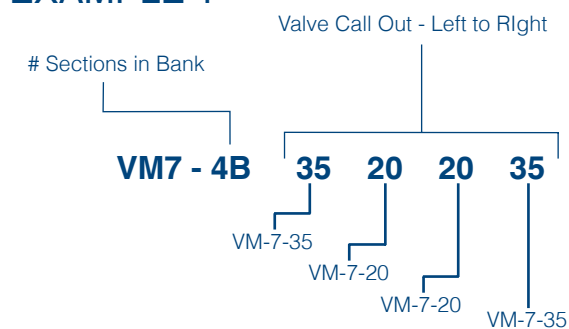
Quad Control Valve with 4.33" dia. mounting plate and light kit



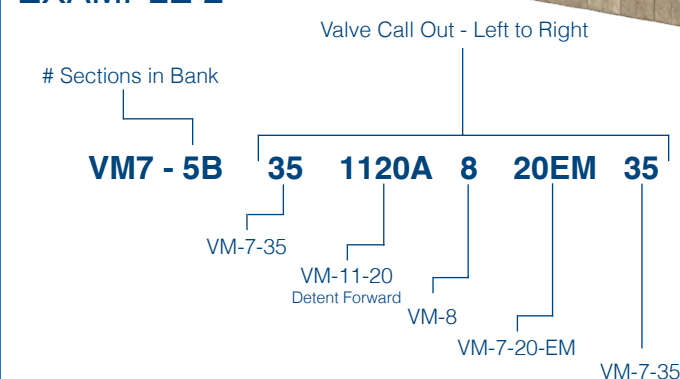
VM-10-C

VALVE BANK ORDERING

EXAMPLE 1



EXAMPLE 2



KEY

Default = VM-7
8 = VM-8
9 = VM-9
11 = VM-11
12 = VM-12
13 = VM-13
SP = Spacer

S = Straight Handle
20 = 20 Degree Handle
35 = 35 Degree Handle
45 = 45 Degree Handle
55 = 55 Degree Handle

LK = Light Kit
EO = On/Off Switch
EM = Momentary Switch

A = Detent Forward
B = Detent Back



7

VALVES - PTO/DUMP COMBO

AV-295 Series

The original AV-295 Valve provides compact, consolidated controls for P.T.O., dump pump and tailgate latch. Available as a stand-alone valve or as a console, operating a dump body has never been easier.

Features Include:

- Controlled lowering
- Automatic disengagement of P.T.O. in lower-position
- Safety latch on P.T.O. switch to prevent accidental engagement
- Brighter LED light
- Push to connect fittings



AV CONSOLES

PART#	DESCRIPTION
3239-8	8" Console for AV-295
3239-13	13" Console for AV-295
3239-W8	8" Console for AV-295 and Tailgate Latch Valve
3239-W13	13" Console for AV-295 and Tailgate Latch Valve
4653-8	8" Console for AV-295 with Mounting flanges @ 90 Degrees



3239-13



3239-8

PART #	METERING (IN LOWER) HOIST CONTROL	AUTOMATIC P.T.O. KICKOUT	8 INCH CONSOLE	13 INCH CONSOLE	30 FT ROLL OF TUBING INCLUDED	INTEGRATED TAILGATE LOCK VALVE	DEAD MAN'S HANDLE
AV-295	•	•					
AVC-295-8	•	•	•				
AVC-295-T-8	•	•	•	•			
AVC-295-13	•	•		•			
AVC-295-T-13	•	•		•			
AVC-295-TG-8	•	•	•			•	
AVC-295-TG-13	•	•		•		•	
AV-295-M	•						
AVC-295-M-8	•	•					
AVC-295-M-T-8	•	•		•			
AVC-295-M-13	•			•			
AVC-295-M-T-13	•	•		•			
AVC-295-M-TG-8	•	•	•			•	
AVC-295-M-TG-13	•	•		•		•	
AV-295-DMH	•	•					•
AVC-295-DMH-8	•	•	•				•
AVC-295-DMH-13	•	•		•			•

NEW PRODUCT



AV-195

The AV-195 is designed to address the needs of vehicles that have electric PTOs or PTO controls already installed in cab of the vehicle. Benefiting from years of dependable design, and quality manufacturing processes, the AV-195 offers

metering hoist control in lower and is available with all the same console options as the AV-295. Dead-man's handle and tailgate controls are also optional.



LIFT AXLE CONTROLS

Features and Benefits:

- Pre-plumbed offers quick, easy installation
- Illuminated gauge
- 3/8" and 1/4" outlets available
- Optional electric solenoid available with auto-lift activation when operating axles
- Private label available for volume orders

PANELS

PART#	DESCRIPTION
CON-3A	Lift Axle Panel with 3/8" Fittings
CON-3A-25	Lift Axle Panel with 1/4" Fittings
CON-3AE	Lift Axle Panel with 3/8" Fittings and Elec Solenoid
CON-3AE-25	Lift Axle Panel with 1/4" Fittings and Elec Solenoid

COMPONENTS

VL-5	2-Position, 4-way, Push-Pull Valve w/ 1/4" Ports
VL-5-ES	2-Position, 4-way, Push-Pull Valve w/ 1/4" Ports and Elec Solenoid
RK-1600	Pressure Regulator, 1/4" Ports, 135 CFM @ 100PSI (0-125 PSI)
4423	Gauge (0-160 PSI)



CON-3A

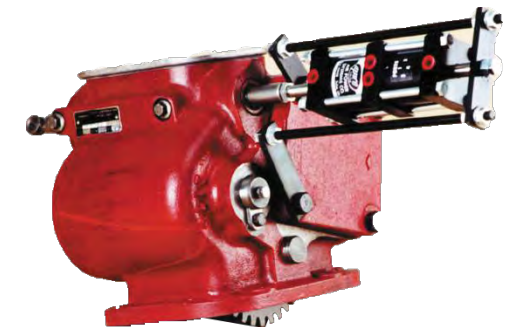
P.T.O. CONTROL KITS

Includes:

- Mounting Hardware
- Tubing and Fittings
- Cylinder(s)
- Valve(s)

*Please call APSCO Inc at 918 622 5600 if you do not see your application listed.

MANUFACTURER	APPLICATION	KIT NUMBER
Parker, Chelsea	7041 Top Mount	PC-25
Parker, Chelsea	86,860,861,862,863	PC-7
Muncie	838	PMV-8



AIR COMPRESSOR KIT

KIT #: ACT-5

SPECIFICATIONS:

Voltage	12 Volts
Max. Amperage	23 Amps
Max. Intermittent Pressure	150 PSI
Max. Duty Cycle @ 100PSI	20% (5 Min. On/ 20 Min. Off @ 23 C)
Max. Restart Pressure	200 PSI
Tank Capacity	2 Gallons



* The ACT-5 kit replaces the ACT-1 and ACT-2 kits.

@PSI	0	20	40	60	80	100	120	140	150
Flow Rate / CFM	1.94	1.45	1.27	1.13	0.99	0.85	0.76	0.64	0.60
AMP Draw	13	17	19	20	21	21	21	20	20

PEDESTALS

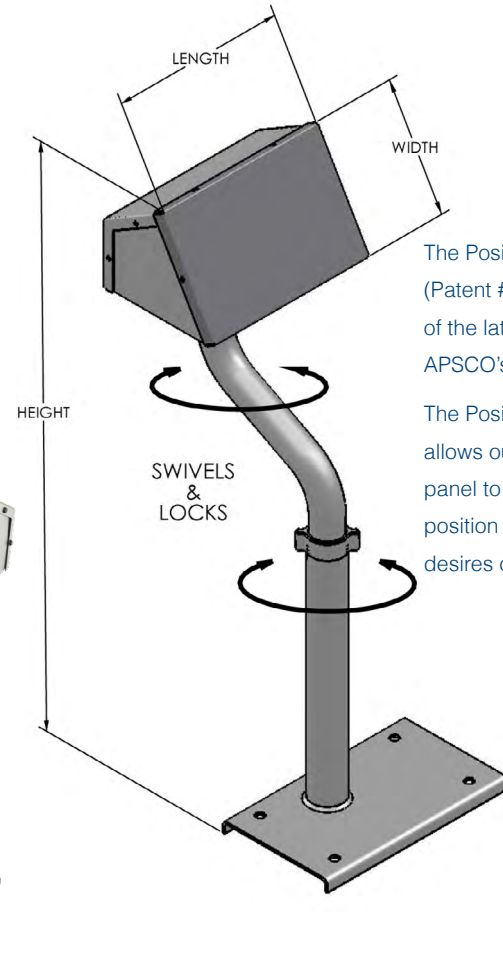
The New Posi-Lock Pedestal™ (Patent # 7,568,666) is designed to house APSCO's VM Series valves.

The Posi-Lock Pedestal™, once mounted to the floor, can be unlocked and rotated into any-position. A simple ¼" turn releases the pedestal head or "S" tube, and another simple ¼" turn provides a positive lock.

So simple that controls can be swung in for operation, swung out of the way when its time to drive on.

Features and Benefits:

- Available in 2 standard heights (29½" and 33½")
- Configurations available to hold up to 8 VM Series valves
- Removable rear cover for easy access
- Simple installation saves time and labor costs
- Round tubing and smooth curves allow ¼" tubing to be installed snag-free with ease
- Will house up to 18 (ea) ¼" tubes
- Functional, ergonomic design provides user-friendly operation
- Patent pending



The Posi-Lock Pedestal™ (Patent # 7,568,666) is one of the latest evolutions in APSCO's aircontrols.

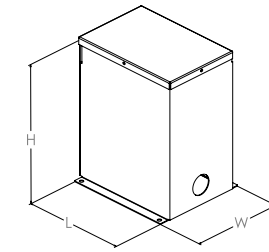
The Posi-Lock Pedestal™ allows our functional control panel to be swiveled into any-position to meet the needs and desires of individual operators.

PEDESTAL	VALVE OPTIONS	BASE	LENGTH	WIDTH	HEIGHT
PED-4-11	(4) Bank; VM-7 Series	11"	7.6"	7"	30.5"
PED-4-11-2P	(4) Bank; VM-7 Series	11"	7.6"	7"	19.7"
PED-4-15	(4) Bank; VM-7 Series	15"	7.6"	7"	34.5"
PED-4-15-2P	(4) Bank; VM-7 Series	15"	7.6"	7"	23.7"
PED-6-11	(6) Bank; VM-7 Series	11"	10.5"	7"	30.5"
PED-6-11-2P	(6) Bank; VM-7 Series	11"	10.5"	7"	19.7"
PED-6-15	(6) Bank; VM-7 Series	15"	10.5"	7"	34.5"
PED-6-15-2P	(6) Bank; VM-7 Series	15"	10.5"	7"	23.7"
PED-8-11	(8) Bank; VM-7 Series	11"	13.3"	7"	30.5"
PED-8-11-2P	(8) Bank; VM-7 Series	11"	13.3"	7"	19.7"
PED-8-15	(8) Bank; VM-7 Series	15"	13.3"	7"	34.5"
PED-8-15-2P	(8) Bank; VM-7 Series	15"	13.3"	7"	23.7"
PED-10-3-11	(1) VM-10 & (3) VM-7 Series	11"	13.3"	7"	30.5"
PED-10-3-11-2P	(1) VM-10 & (3) VM-7 Series	11"	13.3"	7"	19.7"
PED-10-3-15	(1) VM-10 & (3) VM-7 Series	15"	13.3"	7"	34.5"
PED-10-3-15-2P	(1) VM-10 & (3) VM-7 Series	15"	13.3"	7"	23.7"

CONSOLES

Features and Benefits:

- Private Label Available
- Standard consoles available covering all typical applications
- Stainless lid provides a clean consistent professional finish
- Screen printed verbiage provides user-friendly, safe application
- Supplied pre-plumbed and assembled - reducing installation time and costs



PART#	APP	H	W	L	HOIST	T.G. LATCH	AUX	AUX 2	P.T.O	QUAD FLOW CONTROL	STROBE	FLOW LIGHT	BRAKE Band	CLUTCH CONTROL	WINCH IN / OUT	WORK LIGHT	SPEED FAST / SLOW
CONV-UNI-4	Dump	14"	12"	8"	Y	Y	O	O	Y	Y	Y	Y	N	N	N	N	N
CONV-APS-1	Winch	14"	8"	7"	N	N	N	N	Y	N	Y	N	Y	Y	Y	Y	Y

Chart Key: Y = Included / N = Not Included / O = Optional

*Call APSCO for the specific part number of the configuration you desire.

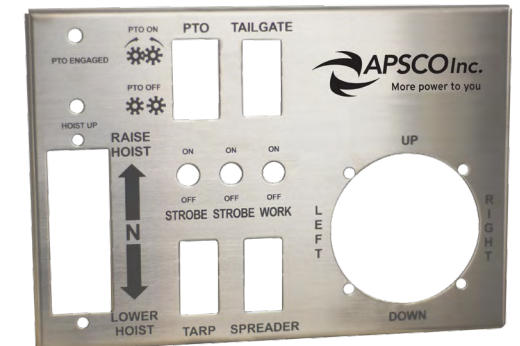
VM CONSOLES

PART#	CONSOLE ACCOMMODATES	HEIGHT	WIDTH	LENGTH
CONB-1-S	(1) x VM-7	13"	4.56"	5.25"
CONB-1-S8	(1) x VM-7	8"	4.56"	5.25"
CONB-1-R	(1) x VM-7, (1) VR-9-S (rocker)	13"	5.25"	5.25"
CONB-2	(2) x VM-7	13"	5.25"	5.25"
CONB-2-R	(2) x VM-7, (1) VR-9-S (rocker)	14"	7.25"	6.75"
CONB-3-R	(2) x VM-7, (1) VR-9-S (rocker)	14"	7.25"	6.75"
CONB-4	(4) Bank VM-7	14"	8"	7"
CONB-Q	(1) x VM-10	13"	5.25"	5.25"



CUSTOM CONSOLES for OE'S

Let APSCO work with you and develop a control console that meets your needs and application. We will work closely with you and design a control console that will bring savings to your operation and value to your customers.



First: Choose Your Control Option

Custom Controls:

The AIRWAVE is a cutting edge alternative to traditional cab controls. Operators in the field is no longer confined to their cab when operating their systems, allowing a better perspective and improves safety. For cab based controls, the AIRWAVE offers a space saving, light weight solution that requires minimum installation. The AIRWAVE gives the operator total freedom and flexibility



APSCO's Airwave solutions are fully customisable. Along with custom verbiage and logic, we can also incorporate a wide range of valuable features. Custom systems to date have included:

- Feed-back displays on the transmitter
- Master transmitters that can control a fleet of receivers
- Multiple transmitters for a unique receiver

Contact us today with your system requirements and we will engineer a system to meet your specific needs

HandHeld:

Features:

- Up to 10 functions
- On/Off or Momentary signals
- Push Button Controls
- Button sequence to activate
- Timeout feature
- Light Weight



Specifications:

- Secure RF 1:16000
- Frequency 2.4 Ghz
- Range up to 1000'
- Battery type 2 x AA

Second: Choose Your Level of Desired Control

Standard:

Specifications:

- Robust Enclosure (IP57) for harsh applications
- Sealed "Potted" circuits – weather and tamper proof
- Power requirement 12VDC (24VDC optional)
- Amp Draw: 2.35@12VDC, 1.17 @24 VDC
- AirPressure 85PSI to 130 PSI
- Temperature range -30F to 120F



Features:

- Up to 10 functions
- On/Off and or momentary signals
- Electrical or Pneumatic outputs

Utilizing secure radio frequency controls, the AIRWAVE system offers direct pneumatic outputs. The AIRWAVE's receiver box is mounted directly to the frame of the equipment with direct pneumatic and/or electrical outputs running direct to the valves and actuators. The AIRWAVE converts the signal from the transmitter to a pneumatic or electrical output within the receiver box – **There is no need for solenoids, fittings and wiring to convert the output!**

Proportional:

Features:

- Up to 16 functions
- On/Off, Momentary and proportional signals
- Electrical or Pneumatic outputs

Specifications:

- Robust Enclosure (IP67) for harsh applications
- Sealed "Potted" circuits – weather and tamper proof
- Power requirement 12/24 VDC
- Amp Draw Up to 10A @ 12VDC
- AirPressure 85 PSI to 130 PSI
- Temperature range -20 F to 185F



Pistol Grip:

Features:

- Up to 16 functions
- On/Off, Momentary and Proportional Signals
- Low Powered – Safe for use in hazardous environments (Class 1, Div1, Group D)
- FCC Approval # KQLAC4490-100 (Non-Licensed)
- Push button, Dial, Thumb-stick or Toggle Controls
- Locking On/Off Toggle to prevent accidental activation
- E-Stop control available
- Feed Back LED's*
- Time Out Feature
- 12-24VDC Truck Charger*
- Tether*



Specification:

- Frequency 902-928 MHz Frequency Hopping Spectrum
- 2.4Ghz*
- Weight 1.2 lbs
- Battery Life 30 Hours continuous use
- Battery type Rechargeable Lithium Ion

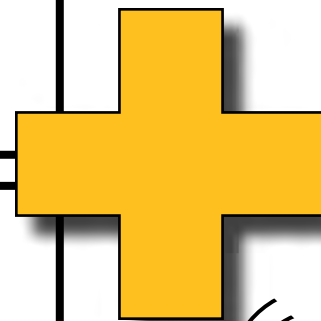
Belly Pack:

Features:

- Up to 24 functions
- On/Off, Momentary and Proportional Signals
- Push button, Dial, Thumb-stick or Toggle Controls
- Locking On/Off Toggle to prevent accidental activation
- E-Stop control available
- Feed Back LED's*
- Time Out Feature
- 12-24VDC Truck Charger*
- Tether*
- Low Powered – Safe for use in hazardous environments (Class 1, Div1, Group D)

Specifications:

- Frequency 902-928 MHz Frequency Hopping Spectrum
- 2.4Ghz*
- Weight 1.2#
- Battery Life 30 Hours continuous use
- Battery type Rechargeable Lithium Ion
- FCC Approval # KQLAC4490-100 (Non-Licensed)



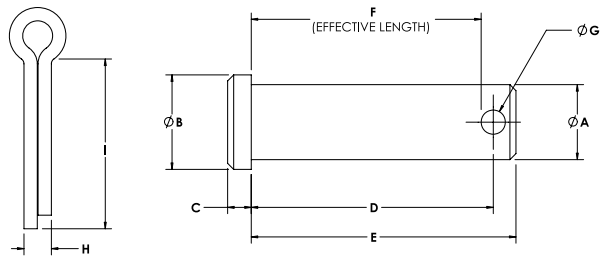
MISCELLANEOUS

VEHICLE CLUTCH CONTROLS

KIT NUMBER	STROKE	VALVES
CL-3	3"	C-5050-RP
CL-4	4 1/2"	C-5025-RP
CL-6	6"	C-5045-RP

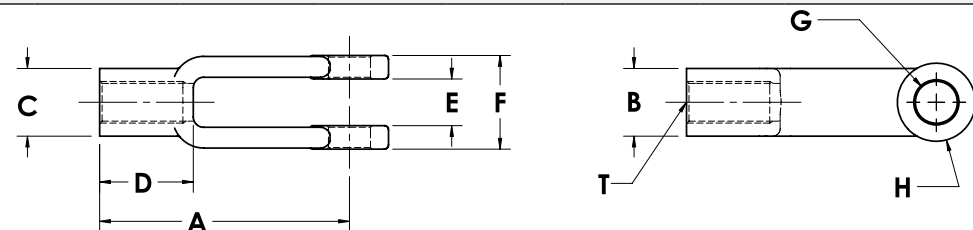
CLEVIS PINS

CLEVIS PART #	A	B	C	D	E	F	G	COTTER PART #	H	I
1204	.38"	.50"	.13"	.13"	1.13"	.87"	.16"	2357	.13"	1.18"
1202	.50"	.63"	.16"	.16"	1.38"	1.14"	.16"	2357	.13"	1.18"
3163	.50"	.63"	.16"	.16"	1.50"	1.27"	.16"	2357	.13"	1.18"
3940A	.75"	.94"	.25"	.25"	2.50"	2.27"	.16"	2355	.13"	1.40"
4019	1.00"	1.18"	.35"	.35"	3.00"	2.69"	.21"	4021	.19"	2.00"
4542	.50"	.63"	.16"	.16"	1.75"	1.52"	.16"	2357	.13"	1.18"



CLEVIS

CLEVIS PART #	T	A	B	C	D	E	F	G	H	I	COTTER PART #
THREAD SIZE	END CENT PIN	NECK HEIGHT	NECK WIDTH	THREAD LG	SLOT WIDTH	WIDTH	PIN SIZE	RADIUS	PIN #		
1169	3/8-24 UNF	1.38	0.63	0.63	0.50	0.44	0.88	0.38	0.37	1204	2357
1299	1/2-20 UNF	1.09	0.88	1.00	0.47	0.57	1.00	0.50	NONE	1202	2357
4588	1/2-20 UNF	1.38	0.63	0.63	0.53	0.44	0.88	0.38	0.34	1204	2357
5104	1/2-20 UNF	3.00	0.88	0.88	0.50	0.56	1.26	0.50	0.47	3163	2357
1201	1/2-20 UNF	3.00	0.81	0.81	1.13	0.56	1.13	0.50	0.47	3163	2357
3162	5/8-18 UNF	1.75	0.88	0.88	0.50	0.56	1.25	0.50	0.47	3163	2357
5362	1-14 UNS	3.01	2.00	2.00	1.13	1.13	2.00	0.75	1.00	3940A	2355
5363	1-14 UNS	3.00	2.00	2.00	1.13	1.13	2.00	1.00	1.00	5439	4021
4961	1-14 UNS	3.25	2.00	2.50	1.25	1.54	2.50	1.00	1.00	4019	4021
4910	1 1/4-12 UNF	3.00	2.00	2.50	1.50	1.54	2.50	1.00	1.00	4019	4021
4131	1 1/4-12 UNF	3.75	2.00	2.50	1.50	1.54	2.50	1.00	1.00	4019	4021



SEAL KITS

PRODUCT #	PART #
C-2000 Series	SK-3109
C-3000 Series	SK-1700
C-3503-DM	SK-3503
C-3505-DM	SK-3329-DM
C-3508-DM	SK-4266
C-3520-DM (22, 60, 70)	SK-4084
C-3526-DM	SK-4170
C-3535-DM	SK-4065
C-3540-DM	SK-4171
C-3551-DM	SK-3551
C-3805-DM	SK-4814
C-3835-DM	SK-4833
C-4000 Series	SK-1240
C-4000-D Series	SK-1243
C-4233 - C-4235	SK-4052
C-4233 - C-4237	SK-4052-M
C-4236 - C-4239	SK-4502
C-4238 - C-4239	SK-4199
C-4800-F	SK-1536
C-5000 5/8 Rod-Wiper	SK-2609
C-5000 Series	SK-1245
C-5000-D Series	SK-1246
C-5064	SK-4102
C-6000 3/4 Rod	SK-1779
C-6000 1 Rod	SK-3037
C-6063	SK-3178
C-6112	SK-5002
C-6224-PK-M	SK-4974
C-7400 1 1/4 Rod	SK-3909
C-7400 1 Rod	SK-3968
C-8000 1 1/4 Rod	SK-4009
C-8000 1 Rod	SK-3688
C-9500-C-9600 1 1/4	SK-2836
C-9800 1 3/4	SK-3325
C-9802-C	SK-4665
V-5	SK-1208
V-55	SK-1238
V-555	SK-1575
V-8	SK-1208
V-85	SK-1238
V-88	SK-1238
VC-3	SK-1151
VM-7 Seal Kit	SK-VM-7-A
VM-7 Rebuild Kit	SK-VM-7-B

WINCH KITS

TULSA WINCH

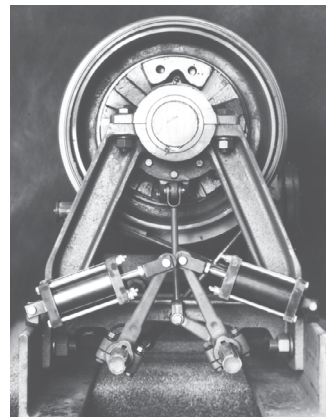
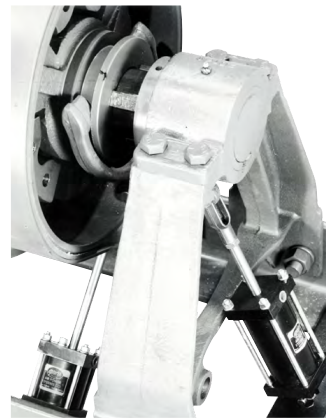
KIT #	WINCH APPLICATION	CLUTCH / BRAKE	VALVES
WT-23	23	C-4178 / C-5042	V-85
WT-23-M	23	C-4178 / C-5042	V-8, VM-2-X
WDT-23 Dual Control	23	C-4178 / C-5042	V-55(2) VS-2-R
WT-34	34	C-5300 / C-5043	V-85
WT-34-M	34	C-5300 / C-5043	V-8, VM-2-X
WDT-34 Dual Control	34	C-5300 / C-5043	V-55(2) VS-2-R
WT-64	64	C-5280 / C-5039	V-85
WT-64-M	64	C-5280 / C-5039	V-8, VM-2-X
WDT-64	64	C-5280 / C-5039	V-55(2) VS-2-R
WT-70	70	C-5280 / C-5039	V-85
WT-70-M	70	C-5280 / C-5039	V-8, VM-2-X
WDT-70 Dual Control	70	C-5280 / C-5039	V-55(2) VS-2-R
WT-80	80	C-5281 / C-5041	V-85
WT-80-M	80	C-5281 / C-5041	V-8, VM-2-X
WDT-80 Dual Control	80	C-5281 / C-5041	V-55(2) VS-2-R

BRADEN WINCH

KIT #	WINCH APPLICATION	CYLINDERS	VALVES
WBR-3	AHSU3	C-5036	V-5
WBR-5	AMGU5	C-5036	V-5
WBR-7	AMS7-15B	C-4075 (2)	V-55
WBR-716	AMU7-16F	C-2001	V-8
WBR-10	AMS10-18B	C-4007 / C-5500	V-55
WBRU-12	AMSU12-12F	C-4091	V-8
WBR-12	MS-12	C-4007 / C-5500	V-55
WBR-18	PD-18	C-4790	V-8
WBR-18-B	PF-18-B	C-5036	V-8
WBR-20	AMS20	C-4074 / C-5460	V-55
WBR-20-M	AMS20	C-4074 / C-5460	V-5, VM-2-X
WBR-30	MS30	C-4074 / C-5470	V-55
WBR-30-M	MS30	C-4074 / C-5470	V-5, VM-2-X
WBR-50	MS50	C-5190 / C-5250	V-55
WBR-50-M	MS50	C-5190 / C-5250	V-5, VM-2-X
WBM-150	M150A	C-5002 / C-6001	V-55
WBR-CL	CL-3L-1	C-4123 / C-2507-F	V-8, V-88
WBR-BP-200	BP200		V-5, V-8, VS-1-R

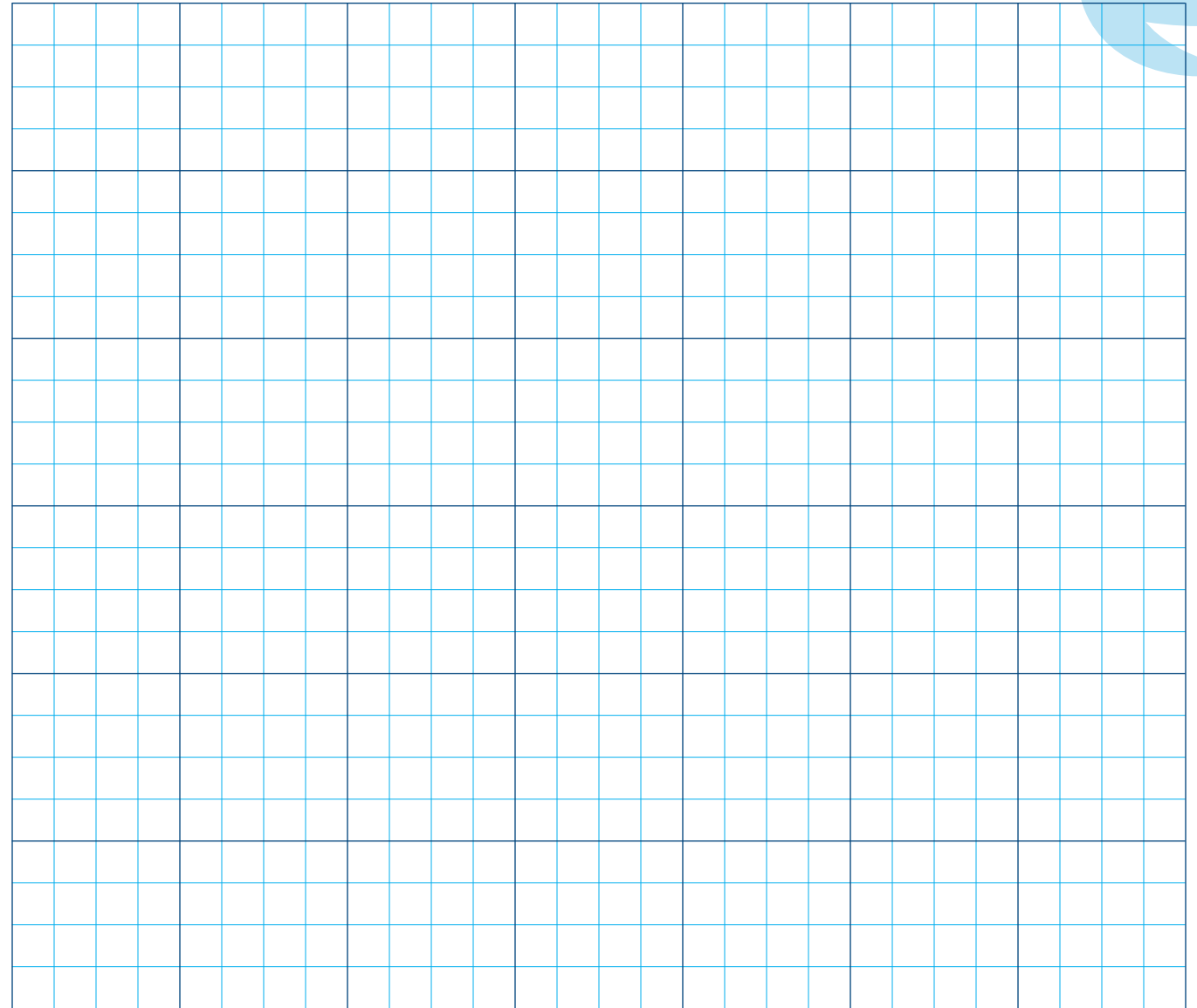
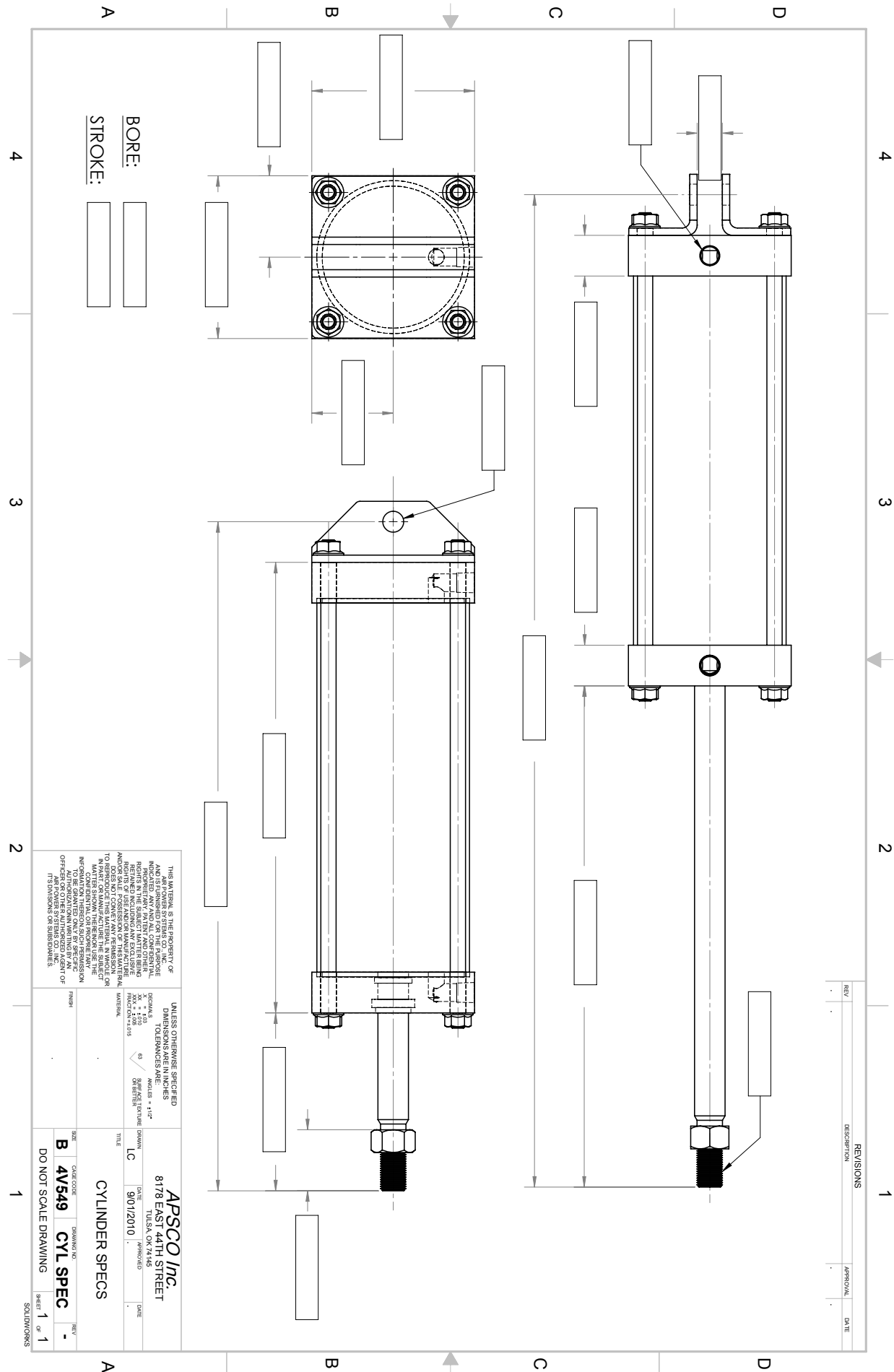
UNIVERSAL MOUNT, WINCH CONTROL KITS

KIT #	DESCRIPTION	CYLINDERS	VALVES
W-1	Winch Clutch	C-4060	V-8
W-2	Winch Clutch (HD)	C-5060	V-8
W-4	Winch Drum Brake	C-4050	V-5
W-7	H.D. Drum Brake	C-5050	V-5
W-12-M	Clutch & Brake	C-5050 / C-4060	V-8, VM-2-X
W-14	Clutch & Brake	C-4050 / C-4060	V-85
W-14-M	Clutch & Brake	C-4050 / C-4060	V-8, VM-2-X
W-27	H.D. Clutch & Brake	C-5050 / C-4060	V-85
W-27-M	H.D. Clutch & Brake	C-5050 / C-4060	V-8, VM-2-X
WD-44	Dual Controls	C-4050 (2)	V-55(2), VS2R



CYLINDER TEMPLATE

NOTES



REV	DESCRIPTION	DATE

CERTIFIED QUALITY MANAGEMENT SYSTEM
ISO 9001:2008



APSCO Inc.
MORE POWER TO YOU